



SERVICE MANUAL

B/W CCD Camera

SPECIFICATIONS

Scanning system : CCIR standard (625 TV lines, 25 frames/sec.)
Interlace : PPL 2:1 interlace
Image device : 1/3 inch solid state image device CCD
Number of pixels in image area : 500 (Horizontal) x 582 (Vertical)
Synchronizing system : Internal sync/ Line lock (only when using an AC power supply)

Resolution : 400 TV lines

Video output terminal : 1.0 V_{p-p}/75 Ω, composite

Image S/N ratio : More than 50 dB

Minimum required illumination : Approx. 0.05 lx (F 1.2 lens)

Backlight compensation : ON/OFF

Lens iris output terminal : 4-pin

Lens mount : CS mount

Flange-back : 12.5 mm ± 0.5 mm

Lens setting : EI/VIDEO/DC

Operating environment : Temperature: -10 – + 50 °C (14°F – 122 °F)
 Humidity: less than 90 % RH (no condensation)

Power supply : AC 24 V ± 10% 50Hz, DC 12 – 15 V

Power consumption : Approx. 3.0W

Weight : Approx. 245 g

VCB-3455P

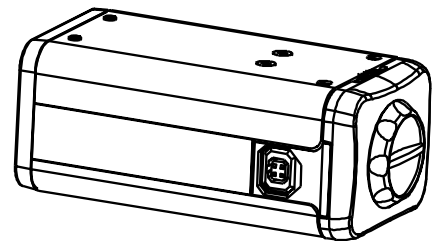
(Product Code : 117 074 27)

(Product Code : 117 074 30)

(Europe, U.K., Russia)

(Asia, Mideast, China)


(Australia, New Zealand)



CONTENTS

1. DISASSEMBLY	2
2. BOARD LOCATION	3
3. ADJUSTMENT	4
4. PARTS LIST	5
CIRCUIT DIAGRAMS & PRINTED WIRING BOARDS	C1

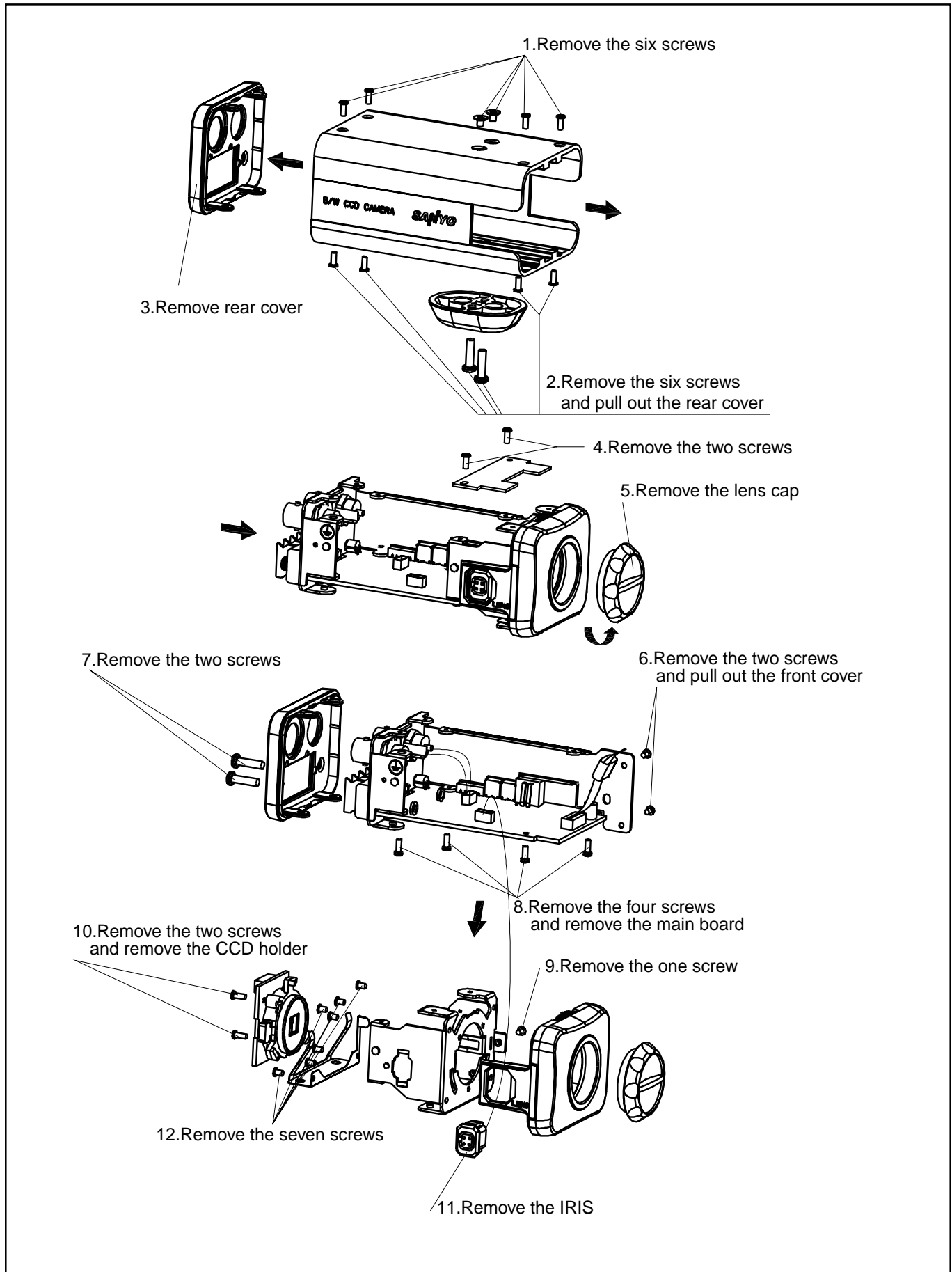
PRODUCT SAFETY NOTICE

The components designated by a symbol () in this schematic diagram designates components whose value are of special significance to product safety. Should any component designated by a symbol need to be replaced, use only the part designated in the Parts List. Do not deviate from the resistance, wattage, and voltage ratings shown.

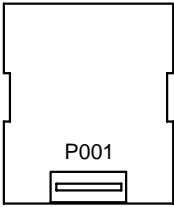
- NOTE : 1. Parts order must contain model number, part number, and description.
 2. Substitute parts may be supplied as the service parts.
 3. N. S. P. : Not available as service parts.

Design and specification are subject to change without notice.

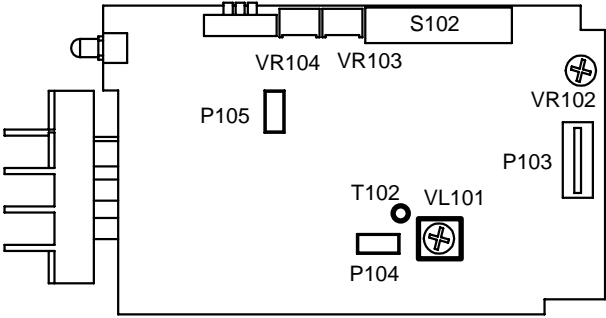
1. DISASSEMBLY



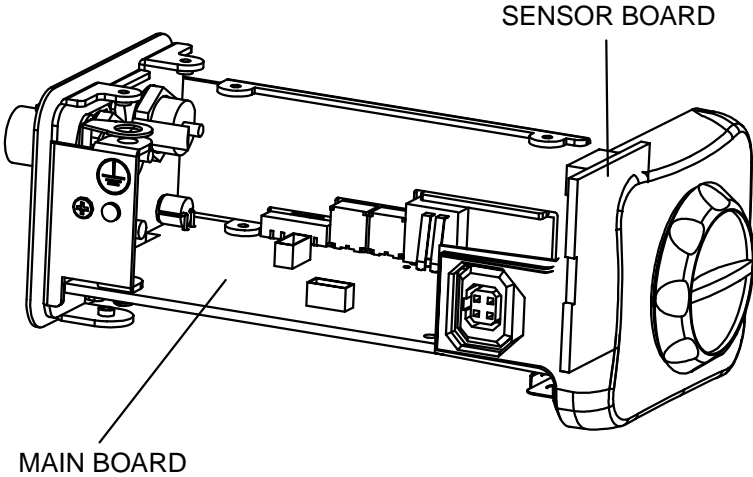
2. BOARD LOCATION



SENSOR BOARD



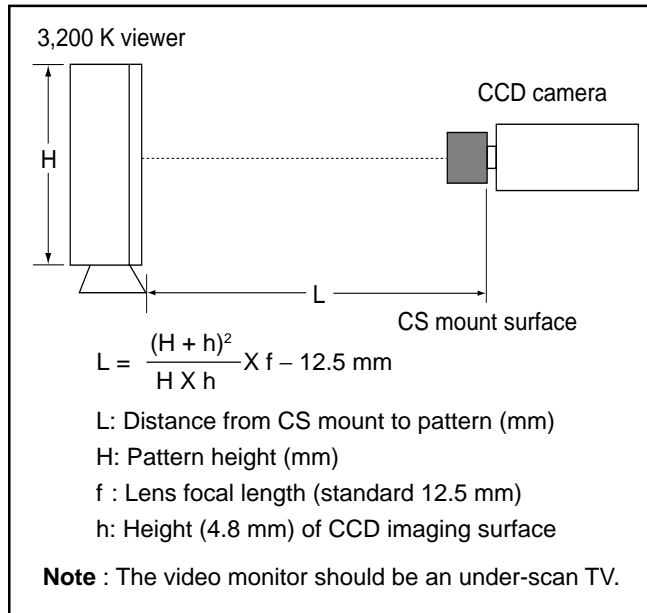
MAIN BOARD



3. ADJUSTMENT

3-1. ADJUSTMENT PREPARATION

1. Use the 3,200K viewer for the subject.
2. Set the ITE gray scale chart II ($\gamma=0.45$) to the viewer.
3. Set the angle of adjustment control (VR) before starting adjustment at the center or temporary adjustment (nearly adjusted) unless specified.



3-2. PCO VOLTAGE ADJUSTMENT

Adjustment location: VL101

Measuring location: T102 (PCO)

Measuring equipment: Multimeter

Subject: No designation, L-L mode

Adjusting method:

1. Set DIP SW2 ON position.
2. Adjust with VL101 so that the voltage is 2.1 ± 0.1 V.

3-3. AGC LEVEL ADJUSTMENT

Adjustment location: VR102

Measuring location: VIDEO OUT

Measuring equipment: Waveform Monitor

Subject: Gray scale chart ($\gamma=0.45$)

Adjusting method:

1. Set IRIS switch (S101) to EI position.
2. Display the gray scale chart on full screen.
3. Open iris of lens to MAX.
4. Adjust with VR102 so that the video level is 112 ± 7 IRE during video output.

4. PARTS LIST

ELECTRICAL PARTS

Note:

1. Capacitors

UF : μ F PF : pF

2. Inductors

UH : μ H MH : mH

3. N.S.P. : Not available as service parts.

LOCATION	PARTS NO.	DESCRIPTION	LOCATION	PARTS NO.	DESCRIPTION
C006 SENSOR+MAIN BOARD					
C006 1/3" B/W HI SENSOR BLOCK					
(CAPACITORS)					
C001	TCZE63-4510425	CAPACITOR 0.1UF 25V 0603 (Y5V)	C130	TCZE63-4247520	TANTALUM CAPACITOR 47UF,6.3V (B)
C002	TCZE63-4510425	CAPACITOR 0.1UF 25V 0603 (Y5V)	C132	TCZE63-4710673	CERAMIC CAPACITOR 10UF/25V Y5V 1210
C004	TCZE63-4510515	CAPACITOR 1UF, 50V +80% -20% 1206 Y5V	C134	TCZE63-4510502	CAPACITOR 1UF 16V 0805 (Y5V)
C003	TCZE63-4510425	CAPACITOR 0.1UF 25V 0603 (Y5V)	C135	TCZE63-4610125	CAPACITOR 100PF 50V 0603 (NPO)
C005	TCZE63-4510425	CAPACITOR 0.1UF 25V 0603 (Y5V)	C136	TCZE63-4522512	CERAMIC CAPACITOR 2.2UF 16V 1206 (Y5V)
C006	TCZE63-4610225	CAPACITOR 1000PF 50V 0603 (X7R)	C140	TCZE63-4810452	CAPACITOR 0.1UF 16V 0402 (Y5V)
C007	TCZE63-4210626	TANTALUM CAPCONDERSOR 10UF/20V (B)	C141	TCZE63-4510425	CAPACITOR 0.1UF 25V 0603 (Y5V)
C008	TCZE63-4510513	CAPACITOR 1UF 25V 1206	C142	TCZE63-4810452	CAPACITOR 0.1UF 16V 0402 (Y5V)
(DIODES)					
D001	TCZE02-0101111	DIODE MA2J11100L SMD	C143	TCZE63-4510425	CAPACITOR 0.1UF 25V 0603 (Y5V)
D002	TCZE02-0101111	DIODE MA2J11100L SMD	C144	TCZE63-4810235	CAPACITOR 1000PF 50V 0402 (X7R)
(RESISTORS)					
R001	TCZE61-4610002	RESISTANCE 10 OHM 0603	C145	TCZE63-4812125	CAPACITOR 120PF/50V 0402 (COG)
R002	TCZE61-4610102	RESISTANCE 100 OHM 0603	C147	TCZE63-4847025	CAPACITOR 47PF/50V 0402 (COG)
R003	TCZE61-4610402	RESISTANCE 100K OHM 0603	C148	TCZE63-4847025	CAPACITOR 47PF/50V 0402 (COG)
R004	TCZE61-4610402	RESISTANCE 100K OHM 0603	C150	TCZE63-4610535	CAPACITOR 1UF/10V 0603 (Y5V)
R006	TCZE61-4610502	RESISTANCE 1M OHM 0603	C151	TCZE63-4610535	CAPACITOR 1UF/10V 0603 (Y5V)
R005	TCZE61-4656202	RESISTANCE 5.6K OHM 0603	C152	TCZE63-4610535	CAPACITOR 1UF/10V 0603 (Y5V)
(SEMICONDUCTORS)					
Q001	TCZE01-0227140	TRANSISTOR 2SC2714-O T5LM SMD	C153	TCZE63-4610535	CAPACITOR 1UF/10V 0603 (Y5V)
(CONNECTORS)					
P001	TCZE76-0818050	CONNECTOR FH12-18S-0.5 SV (N.S.P)	C154	TCZE63-4247520	TANTALUM CAPACITOR 47UF,6.3V (B)
C006 MAIN BOARD B/W STD 1/3" CCIR AC24V BLOCK					
(CONDENSERS)					
C106	TCZE63-0733705	ELECTROLYTIC CONDENSER 330U 50V DIP 10*20 KY (CMC)	C156	TCZE63-4603025	CAPACITOR 3PF 50V 0603 (NPO)
C112	TCZE63-0310377	ELECTROLYTIC CONDENSER 1000P/1KV DIP	C157	TCZE63-4610535	CAPACITOR 1UF/10V 0603 (Y5V)
C124	TCZE63-0722701	ELECTROLYTIC CONDENSER 220UF 10V DIP 6.3X11 KY (CHEMI-CON)	C160	TCZE63-4110772	100U 16V 6.3*8 MVL CMC
C125	TCZE63-0722701	ELECTROLYTIC CONDENSER 220UF 10V DIP 6.3X11 KY (CHEMI-CON)	C161	TCZE63-4810452	CAPACITOR 0.1UF 16V 0402 (Y5V)
C126	TCZE63-0147630	ELECTROLYTIC CONDENSER 47UF,6.3V DIP 6.3X5 (OSCON)	C163	TCZE63-4810452	CAPACITOR 0.1UF 16V 0402 (Y5V)
C155	TCZE63-4210601	TANTALUM CAPCONDERSOR 10UF 10V SMD A SIZE (32X16)	C164	TCZE63-4810452	CAPACITOR 0.1UF 16V 0402 (Y5V)
C159	TCZE63-4210601	TANTALUM CAPCONDERSOR 10UF 10V SMD A SIZE (32X16)	C165	TCZE63-4847025	CAPACITOR 47PF/50V 0402 (COG)
C182	TCZE63-4210601	TANTALUM CAPCONDERSOR 10UF 10V SMD A SIZE (32X16)	C166	TCZE63-4510611	CERAMIC CAPACITOR 10UF/10V 1206 Y5V
C194	TCZE63-4210601	TANTALUM CAPCONDERSOR 10UF 10V SMD A SIZE (32X16)	C167	TCZE63-4610535	CAPACITOR 1UF/10V 0603 (Y5V)
(CAPACITORS)					
C103	TCZE63-4610338	HIGH PRESSURECAPACITOR 0.01UF/630V 1206 X7R \pm 15%	C168	TCZE63-4810452	CAPACITOR 0.1UF 16V 0402 (Y5V)
C104	TCZE63-4610338	HIGH PRESSURECAPACITOR 0.01UF/630V 1206 X7R \pm 15%	C183	TCZE63-4810235	CAPACITOR 1000PF 50V 0402 (X7R)
C105	TCZE63-4510405	CAPACITOR 0.1UF 50V 0805	C184	TCZE63-4733432	CERAMIC CAPACITOR 0.33UF/50V 1206 X7R \pm 10%
C107	TCZE63-4810452	CAPACITOR 0.1UF 16V 0402 (Y5V)	C185	TCZE63-4247520	TANTALUM CAPACITOR 47UF,6.3V (B)
C108	TCZE63-4810235	CAPACITOR 1000PF 50V 0402 (X7R)	C187	TCZE63-4610535	CAPACITOR 1UF/10V 0603 (Y5V)
C109	TCZE63-4510513	CAPACITOR 1UF 25V 1206	C190	TCZE63-4810235	CAPACITOR 1000PF 50V 0402 (X7R)
C110	TCZE63-4510513	CAPACITOR 1UF 25V 1206	C191	TCZE63-4668025	CAPACITOR 68PF 50V 0603 (COG)
C113	TCZE63-4810235	CAPACITOR 1000PF 50V 0402 (X7R)	C192	TCZE63-4810235	CAPACITOR 1000PF 50V 0402 (X7R)
C114	TCZE63-4510611	CERAMIC CAPACITOR 10UF/10V 1206 Y5V	C193	TCZE63-4833025	CAPACITOR 33PF 50V 0402 (COG)
C115	TCZE63-4510513	CAPACITOR 1UF 25V 1206	C195	TCZE63-4810125	CAPACITOR 100PF 50V 0402
C116	TCZE63-4668135	CAPACITOR 680PF 50V 0603 (X7R)	C196	TCZE63-4820025	CAPACITOR 20P 50V 0402 (COG)
C119	TCZE63-4710673	CERAMIC CAPACITOR 10UF/25V Y5V 1210	C197	TCZE63-4820025	CAPACITOR 20P 50V 0402 (COG)
C121	TCZE63-4210626	TANTALUM CAPACITOR 10UF/20V (B)	C1A0	TCZE63-4810452	CAPACITOR 0.1UF 16V 0402 (Y5V)
C128	TCZE63-4247520	TANTALUM CAPACITOR 47UF,6.3V (B)	C1A1	TCZE63-4547512	CAPACITOR 4.7UF 16V 1206 (Y5V)
			C1A3	TCZE63-4610535	CAPACITOR 1UF/10V 0603 (Y5V)
			C1A4	TCZE63-4510502	CAPACITOR 1UF 16V 0805 (Y5V)
			C1A5	TCZE63-4510502	CAPACITOR 1UF 16V 0805 (Y5V)
			C1A6	TCZE63-4510611	CERAMIC CAPACITOR 10UF/10V 1206 Y5V
			C1A7	TCZE63-4510611	CERAMIC CAPACITOR 10UF/10V 1206 Y5V
			C1A8	TCZE63-4710673	CERAMIC CAPACITOR 10UF/25V Y5V 1210
			C1A9	TCZE63-4510502	CAPACITOR 1UF 16V 0805 (Y5V)
			C1B0	TCZE63-4610535	CAPACITOR 1UF/10V 0603 (Y5V)
			C1B1	TCZE63-4510611	CERAMIC CAPACITOR 10UF/10V 1206 Y5V
			C1B2	TCZE63-4610535	CAPACITOR 1UF/10V 0603 (Y5V)
			C1B3	TCZE63-4510502	CAPACITOR 1UF 16V 0805 (Y5V)
			(INTEGRATED CIRCUITS)		
			U101	TCZE00-0613100	CCD PROCESS, CXA1310AQ B/W SMD
			U102	TCZE00-0624630	CCD TIMING V-DRIVER CXD2463R
			U108	TCZE00-3204053	CMOS IC HEF4053BTR SMD
			U111	TCZE00-3274000	CMOS NAND, TC74HC00AFN(DR.DT) SMD
			U112	TCZE00-3274014	CMOS SCHMITT NOT TC74HC14AFN SMD
			U113	TCZE00-0000358	OP AMP LM358M SMD (NS)
			U114	TCZE00-0003414	OP AMP NJM3414AM-TE3
			U115	TCZE00-3214538	CMOS MONOSTABLE 74HC4538DT
			U116	TCZE00-0003414	OP AMP NJM3414AM-TE3
			U117	TCZE00-3271083	CMOS IC TC7S08F SMD
			(CRYSTAL)		
			X101	TCZE72-0818937	CRYSTAL 18.9375 MHZ 3*9 20PF
			(DIODES)		
			D101	TCZE02-0800003	DIODE FAST DIODE 1A 800V RS1K

LOCATION	PARTS.NO.	DESCRIPTION	LOCATION	PARTS.NO.	DESCRIPTION
D103	TCZE02-0015951	DIODE 1SR159-200 (RECTIFIER DIODE)	R163	TCZE61-4624300	RESISTANCE 24K
D104	TCZE02-0015951	DIODE 1SR159-200 (RECTIFIER DIODE)	R164	TCZE61-4622300	RESISTANCE 22K OHM 0603 1%
D105	TCZE02-0516051	DIODE RB160-40 (SCHOTTKY BARRIER DIODE)	R165	TCZE61-4616302	RESISTANCE 16K OHM 0603
D106	TCZE02-0015951	DIODE 1SR159-200 (RECTIFIER DIODE)	R166	TCZE61-4620300	RESISTANCE 20.5K OHM 0603 1%
D112	TCZE02-0101111	DIODE MA2J11100L SMD	R167	TCZE61-4175012	RESISTANCE 75 OHM 0805
D113	TCZE02-0101111	DIODE MA2J11100L SMD	R168	TCZE61-4810132	RESISTANCE 100 OHM 5% 0402
D117	TCZE02-0101111	DIODE MA2J11100L SMD	R169	TCZE61-4810032	RESISTANCE 10 OHM 5% 0402
D118	TCZE02-0101111	DIODE MA2J11100L SMD	R170	TCZE61-4818332	RESISTANCE 18K OHM 5% 0402
D119	TCZE02-0314601	DIODE KV1460 SMD	R171	TCZE61-4868132	RESISTANCE 680 OHM 5% 0402
D120	TCZE02-0101810	DIODE 1SS181 T5L.M SMD	R172	TCZE61-4851132	RESISTANCE 510 OHM5% 0402
ZD101	TCZE02-0209141	DIODE(ZENER)RLZ9.1C 0.4W SMD	R173	TCZE61-4818332	RESISTANCE 18K OHM 5% 0402
ZD102	TCZE02-0205141	DIODE(ZENER)RLZ5.1B 0.4W SMD	R174	TCZE61-4868132	RESISTANCE 680 OHM 5% 0402
ZD103	TCZE02-0207541	DIODE(ZENER)RLZ7.5B 0.4W SMD	R175	TCZE61-4847132	RESISTANCE 470 OHM 5% 0402
ZD105	TCZE02-0205141	DIODE(ZENER)RLZ5.1B 0.4W SMD	R176	TCZE61-4800032	RESISTANCE 0 OHM 5% 0402
ZD106	TCZE02-0205141	DIODE(ZENER)RLZ5.1B 0.4W SMD	R177	TCZE61-4810232	RESISTANCE 1K OHM 5% 0402
ZD109	TCZE02-0211041	DIODE(ZENER) RLZ11B 0.4W SMD	R185	TCZE61-4810332	RESISTANCE 10K OHM 5% 0402
LED	TCZE02-0701020	DIODE (LED) RED (PHOTOCOUPLES)	R186	TCZE61-4851132	RESISTANCE 510 OHM5% 0402
Q101	TCZE21-0003570	PHOTOCOUPLE LTV-357 SMD (LITE-ON)	R187	TCZE61-4810432	RESISTANCE 100K OHM 5% 0402
Q104	TCZE21-0003570	PHOTOCOUPLE LTV-357 SMD (LITE-ON) (RESISTANCES)	R187	TCZE61-4810432	RESISTANCE 100K OHM 5% 0402
D109	TCZE61-4600002	RESISTANCE 0 OHM 0603	R188	TCZE61-4847232	RESISTANCE 4.7K OHM 5% 0402
L104	TCZE61-4100012	RESISTANCE 0 OHM 0805	R190	TCZE61-4810332	RESISTANCE 10K OHM 5% 0402
R101	TCZE61-4120312	RESISTANCE 20K OHM 0805	R191	TCZE61-4882132	RESISTANCE 820 OHM 5% 0402
R103	TCZE61-4810332	RESISTANCE 10K OHM 5% 0402	R192	TCZE61-4810332	RESISTANCE 10K OHM 5% 0402
R104	TCZE61-4875232	RESISTANCE 7.5K OHM 5% 0402	R193	TCZE61-4810432	RESISTANCE 100K OHM 5% 0402
R105	TCZE61-4813332	RESISTANCE 13K OHM 5% 0402	R194	TCZE61-4833432	RESISTANCE 330K OHM 5% 0402
R106	TCZE61-4833132	RESISTANCE 330 OHM 5% 0402	R195	TCZE61-4810332	RESISTANCE 10K OHM 5% 0402
R107	TCZE61-4800032	RESISTANCE 0 OHM 5% 0402	R196	TCZE61-4810332	RESISTANCE 10K OHM 5% 0402
R108	TCZE61-4830232	RESISTANCE 3K OHM5% 0402	R197	TCZE61-4839332	RESISTANCE 39K OHM 5% 0402
R109	TCZE61-4820332	RESISTANCE 20K OHM 5% 0402	R198	TCZE61-4810432	RESISTANCE 100K OHM 5% 0402
R110	TCZE61-4800032	RESISTANCE 0 OHM 5% 0402	R199	TCZE61-4810532	RESISTANCE 1M OHM 5% 0402
R111	TCZE61-4851132	RESISTANCE 510 OHM5% 0402	R1A0	TCZE61-4875032	RESISTANCE 75 OHM 5% 0402
R112	TCZE61-4800032	RESISTANCE 0 OHM 5% 0402	R1A1	TCZE61-4810532	RESISTANCE 1M OHM 5% 0402
R113	TCZE61-4818232	RESISTANCE 1.8K OHM5% 0402	R1A2	TCZE61-4810132	RESISTANCE 100 OHM 5% 0402
R114	TCZE61-4810232	RESISTANCE 1K OHM 5% 0402	R1A3	TCZE61-4810132	RESISTANCE 100 OHM 5% 0402
R115	TCZE61-4668002	RESISTANCE 68 OHM 0603	R1A4	TCZE61-4810432	RESISTANCE 100K OHM 5% 0402
R116	TCZE61-4810532	RESISTANCE 1M OHM 5% 0402	R1A5	TCZE61-4810432	RESISTANCE 100K OHM 5% 0402
R118	TCZE61-4851232	RESISTANCE 5.1K OHM5% 0402	R1A7	TCZE61-4810232	RESISTANCE 1K OHM 5% 0402
R119	TCZE61-4820332	RESISTANCE 20K OHM 5% 0402	R1A8	TCZE61-4800032	RESISTANCE 0 OHM 5% 0402
R120	TCZE61-4651302	RESISTANCE 51K OHM 0603	R1B0	TCZE61-4810332	RESISTANCE 10K OHM 5% 0402
R121	TCZE61-4810332	RESISTANCE 10K OHM 5% 0402	R1B1	TCZE61-4810332	RESISTANCE 10K OHM 5% 0402
R122	TCZE61-4810432	RESISTANCE 100K OHM 5% 0402	R1B2	TCZE61-4815232	RESISTANCE 1.5K OHM 5% 0402
R123	TCZE61-4875132	RESISTANCE 750 OHM 5% 0402	R1B4	TCZE61-4830232	RESISTANCE 3K OHM5% 0402
R124	TCZE61-4620302	RESISTANCE 20K OHM 0603	R1B5	TCZE61-4810032	RESISTANCE 10 OHM 5% 0402
R125	TCZE61-4620302	RESISTANCE 20K OHM 0603	R1B6	TCZE61-4810332	RESISTANCE 10K OHM 5% 0402
R126	TCZE61-4810432	RESISTANCE 100K OHM 5% 0402	R1B7	TCZE61-4810432	RESISTANCE 100K OHM 5% 0402
R127	TCZE61-4851332	RESISTANCE 51K OHM 5% 0402	R1B8	TCZE61-4810332	RESISTANCE 10K OHM 5% 0402
R128	TCZE61-4810332	RESISTANCE 10K OHM 5% 0402	R1B9	TCZE61-4810432	RESISTANCE 100K OHM 5% 0402
R129	TCZE61-4815332	RESISTANCE 15K OHM5% 0402	R1C0	TCZE61-4810332	RESISTANCE 10K OHM 5% 0402
R130	TCZE61-4110212	RESISTANCE 1K OHM 0805	R1C1	TCZE61-4810432	RESISTANCE 100K OHM 5% 0402
R131	TCZE61-4875232	RESISTANCE 7.5K OHM 5% 0402	R1C2	TCZE61-4882232	RESISTANCE 8.2K OHM 5% 0402
R132	TCZE61-4836330	RESISTANCE 36K OHM 1% 0402	R1C3	TCZE61-4818232	RESISTANCE 1.8K OHM5% 0402
R133	TCZE61-4882232	RESISTANCE 8.2K OHM 5% 0402	R1C4	TCZE61-4800032	RESISTANCE 0 OHM 5% 0402
R134	TCZE61-4836330	RESISTANCE 36K OHM 1% 0402	R1C5	TCZE61-4810332	RESISTANCE 10K OHM 5% 0402
R135	TCZE61-4836330	RESISTANCE 36K OHM 1% 0402	R1C6	TCZE61-4839232	RESISTANCE 3.9K OHM5% 0402
R136	TCZE61-4810032	RESISTANCE 10 OHM 5% 0402	R1C7	TCZE61-4810332	RESISTANCE 10K OHM 5% 0402
R137	TCZE61-4810032	RESISTANCE 10 OHM 5% 0402	R1C8	TCZE61-4843332	RESISTANCE 43K OHM5% 0402
R138	TCZE61-4810432	RESISTANCE 100K OHM 5% 0402	R1C9	TCZE61-4810432	RESISTANCE 100K OHM 5% 0402
R139	TCZE61-4810432	RESISTANCE 100K OHM 5% 0402	R1D0	TCZE61-4820332	RESISTANCE 20K OHM 5% 0402
R140	TCZE61-4833332	RESISTANCE 33K OHM 5% 0402	R1D1	TCZE61-4810132	RESISTANCE 100 OHM 5% 0402
R141	TCZE61-4800032	RESISTANCE 0 OHM 5% 0402	R1D2	TCZE61-4820332	RESISTANCE 20K OHM 5% 0402
R142	TCZE61-4800032	RESISTANCE 0 OHM 5% 0402	R1D4	TCZE61-4810132	RESISTANCE 100 OHM 5% 0402
R143	TCZE61-4822232	RESISTANCE 2.2K OHM 5% 0402	R1D5	TCZE61-4847032	RESISTANCE 47 OHM5% 0402
R144	TCZE61-4822232	RESISTANCE 2.2K OHM 5% 0402	R1D6	TCZE61-4810532	RESISTANCE 1M OHM 5% 0402
R145	TCZE61-4800032	RESISTANCE 0 OHM 5% 0402	R1D7	TCZE61-4856032	RESISTANCE 56 OHM 5% 0402
R147	TCZE61-4810432	RESISTANCE 100K OHM 5% 0402	R1D8	TCZE61-4875232	RESISTANCE 7.5K OHM 5% 0402
R148	TCZE61-4822232	RESISTANCE 2.2K OHM 5% 0402	R1E0	TCZE61-4830232	RESISTANCE 3K OHM5% 0402
R149	TCZE61-4822232	RESISTANCE 2.2K OHM 5% 0402	R1E6	TCZE61-4800032	RESISTANCE 0 OHM 5% 0402
R150	TCZE61-4830332	RESISTANCE 30K OHM 5% 0402	R1E7	TCZE61-4800032	RESISTANCE 0 OHM 5% 0402
R155	TCZE61-4810532	RESISTANCE 1M OHM 5% 0402	R1E8	TCZE61-4800032	RESISTANCE 0 OHM 5% 0402
R156	TCZE61-4810332	RESISTANCE 10K OHM 5% 0402	R1E9	TCZE61-4800032	RESISTANCE 0 OHM 5% 0402
R157	TCZE61-4810232	RESISTANCE 1K OHM 5% 0402	R1F0	TCZE61-4800032	RESISTANCE 0 OHM 5% 0402
R159	TCZE61-4810432	RESISTANCE 100K OHM 5% 0402	R1F1	TCZE61-4800032	RESISTANCE 0 OHM 5% 0402
R160	TCZE61-4839232	RESISTANCE 3.9K OHM5% 0402	R1F2	TCZE61-4810332	RESISTANCE 10K OHM 5% 0402
R161	TCZE61-4815232	RESISTANCE 1.5K OHM 5% 0402	R1F3	TCZE61-4820232	RESISTANCE 2K OHM 5% 0402
R162	TCZE61-4810232	RESISTANCE 1K OHM 5% 0402	RN102	TCZE61-4510302	RESISTANCE 10K OHM 8P4R 1/16W SMD
			VR102	TCZE61-2110400	RESISTANCE (CHANGEABLE) 100K 0.2W 5 DIP
			VR103	TCZE61-2110434	RESISTANCE(ADJUSTABLE)

LOCATION	PARTS NO.	DESCRIPTION
VR104	TCZE61-2110434	100K 3362W-1-104 RESISTANCE(ADJUSTABLE) 100K 3362W-1-104
F101	△ TCZE75-0110112	FUSE 125V 1A SMD (FUSE)
S101	TCZE77-0101209	SWITCH MT2300-01 DIP
S102	TCZE77-0100201	SWITCH PI SERIES 2P DA-02
U103	TCZE00-1137763	SWITCHING REGULATOR MB3776APF IC SMD (POWER INDUCTORS)
U104	TCZE00-0200005	POWER INDUCTOR BA05FP SMD
C188	TCZE63-4210504	POWER INDUCTOR SMI-43-220
L102	TCZE62-0722002	POWER INDUCTOR SMI-43-220
U106	TCZE00-0278157	POWER INDUCTOR TA78L15F SMD (INDUCTANCES)
VL101	TCZE62-0401582	AJDUSTABLE INDUCTANCE 1.5UH (637BH-01911B) ±4% SMD
L106	TCZE62-0610012	INDUCTANCE 10UH SMD (2.5X2.0X1.6)
L107	TCZE62-0622012	INDUCTANCE 22UH SMD (2.5X2.0X1.6)
L105	TCZE62-0668012	INDUCTANCE 68UH SMD (2.5X2.0X1.6)
L103	TCZE62-0602202	INDUCTANCE 2.2UH 1206(3.2X1.6X1.1)SMD (TRANSISTORS)
Q106	TCZE01-0812000	TRANSISTOR NMOS IRFR120N SMD
Q103	TCZE01-0206010	TRANSISTOR NPN 2SD601A
Q112	TCZE01-0206010	TRANSISTOR NPN 2SD601A
Q108	TCZE01-0500001	TRANSISTOR UMX1N
Q109	TCZE01-0500001	TRANSISTOR UMX1N
Q110	TCZE01-0500001	TRANSISTOR UMX1N
Q111	TCZE01-0500001	TRANSISTOR UMX1N
Q102	TCZE01-0604601	TRANSISTOR XP4601
Q105	TCZE01-0604601	TRANSISTOR XP4601
TR101	TCZE64-0127861	TRANSFORMER EFD15 YT-12786-1 FOR C006 AC24V (CONNECTORS)
P104	TCZE76-0904121	CONNECTOR (MOLEX) 53398-0428 (WH1-3004)(N.S.P.)
P105	TCZE76-0904121	CONNECTOR (MOLEX) 53398-0428 (WH1-3004)(N.S.P.)
P103	TCZE76-0818050	CONNECTOR FH12-18S-0.5 SV (N.S.P.) (MISCELLANEOUS)
	TCZM50-0722000	BOSS MH4.8*4A

LOCATION	PARTS NO.	DESCRIPTION
18	TCZM20-0731000	STAND,TRIPOT MOUNT FOR C006
19	TCZM82-0110218	SCREW M3X11MM CR
20	TCZM01-0310000	REAR COVER FOR C006
21	TCZM13-0030000	BRACKET CDC (2) FOR C030
22	TCZE76-0201951	CONNECTOR BNC (FEMALE) B-109D-ZNND 94HB
23	TCZM12-0310001	RIGHT PANEL EIA FOR C006
24	TCZM20-0310304	3PIN 6.35MM (T30OS64X0302)
25	TCZM50-1701003	5X3 BK FOR C006
26	TCZM82-0110207	SCREW M3X11 BK
27	TCZM50-1931001	HOLDER PLATE

FLEXIBLE FLAT CABLE

TCZE79-1902040	CABLE HOUSING 40MM 2PIN FOR SANYO
TCZE79-5018030	CABLE FFC 18PIN P0.5 30MM S300/S400

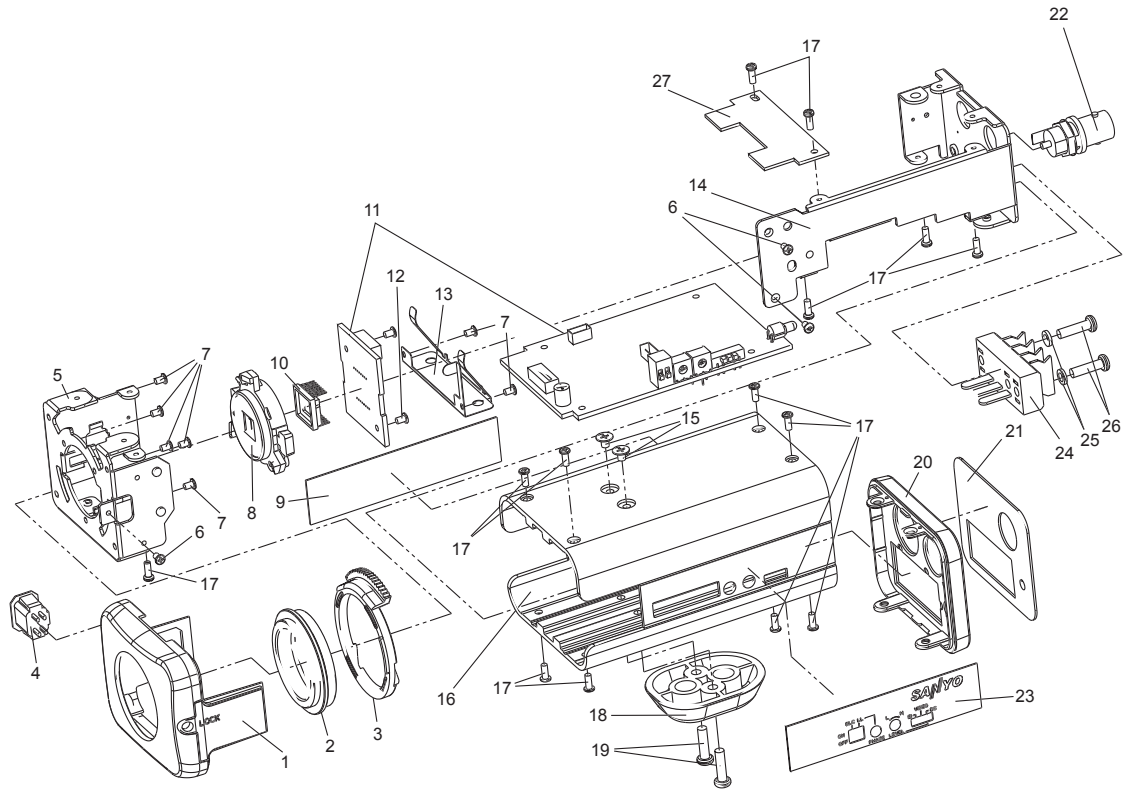
ACCESSORIES & PACKING MATERIALS

TCZE82-0001010	EMI CORE
TCZEIM-0010423	INSTRUCTION MANUAL (ENGLISH/FRENCH)
TCZEIM-0010424	INSTRUCTION MANUAL (CHINESE/GERMAN)
TCZP01-0102118	CARTON CASE
TCZP02-0001031	INNER CARTON
TCZP04-0000027	VINYL BAG,SET

CABINET & CHASSIS PARTS

1	TCZM00-0310000	FRONT COVER FOR C006
2	TCZM20-0031000	MOUNT RING FOR C006
3	TCZM50-0031000	ADJUST RING FOR C006
4	TCZE7A-700020	IRIS
5	TCZM15-0310000	FRONT BRACKET FOR C006
6	TCZM82-0110102	SCREW M2X5MM NI
7	TCZM82-0120700	SCREW M2X3MM
8	TCZM05-0531000	HOLDER FOR C006
9	TCZM11-0006001	LEFT PANEL STD FOR C006
10	TCZE42-0504050	CCD SENSOR ICX405AL (CCIR) 1/3" STD
11	TCZE4B-8400	C006 SENSOR+MAIN BOARD
12	TCZM82-0120601	SCREW TP2X5MM NI
13	TCZM20-0631000	SPRING FOR C006
14	TCZM15-0310001	BODY CASE FOR C006 (DC TYPE)
15	TCZM82-0110409	SCREW M3X3.5 NI
16	TCZM14-0310000	BODY CASE FOR C006
17	TCZM82-0110267	SCREW M2X5

CABINET & CHASSIS PARTS



VCB-3455P



SANYO Electric Co., Ltd.
Osaka, Japan