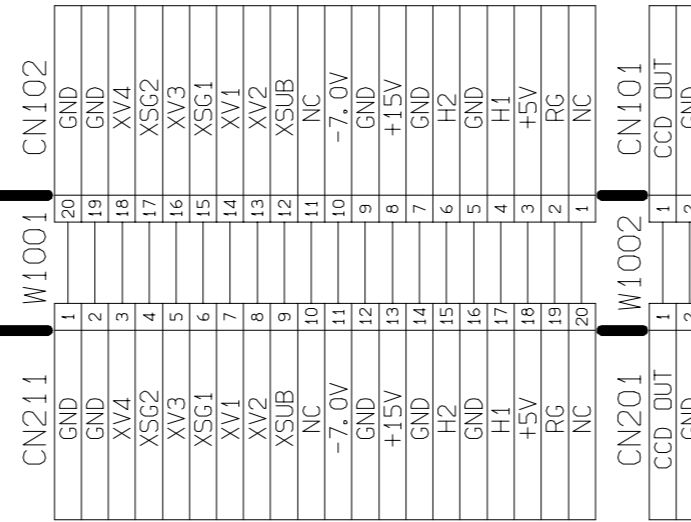


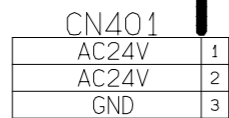
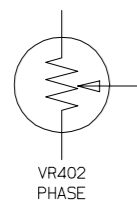
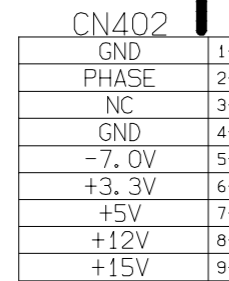
OVERALL WIRING, BLOCK DIAGRAM & CIRCUIT DIAGRAMS

OVERALL WIRING

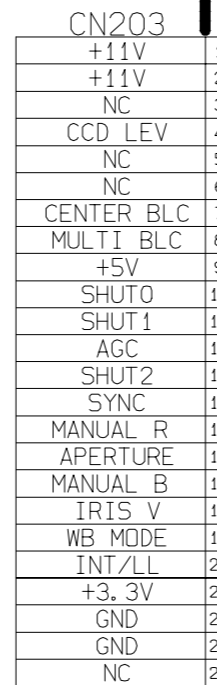
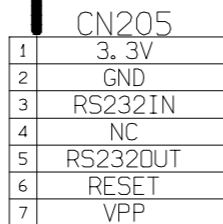
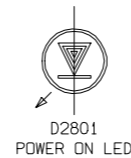
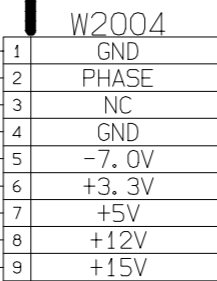
CA-1 BOARD CCD UNIT



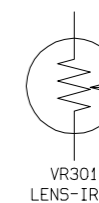
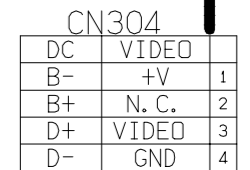
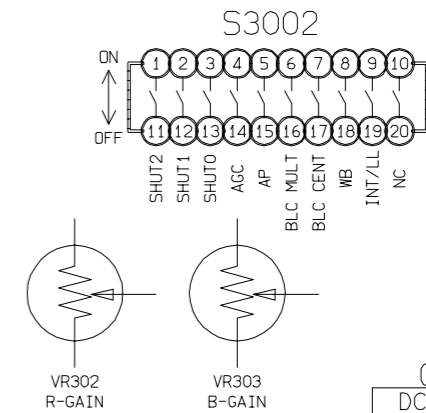
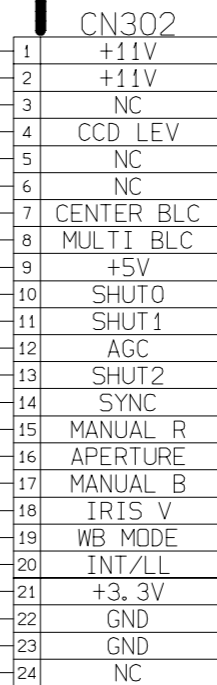
CA-4 BOARD POWER UNIT



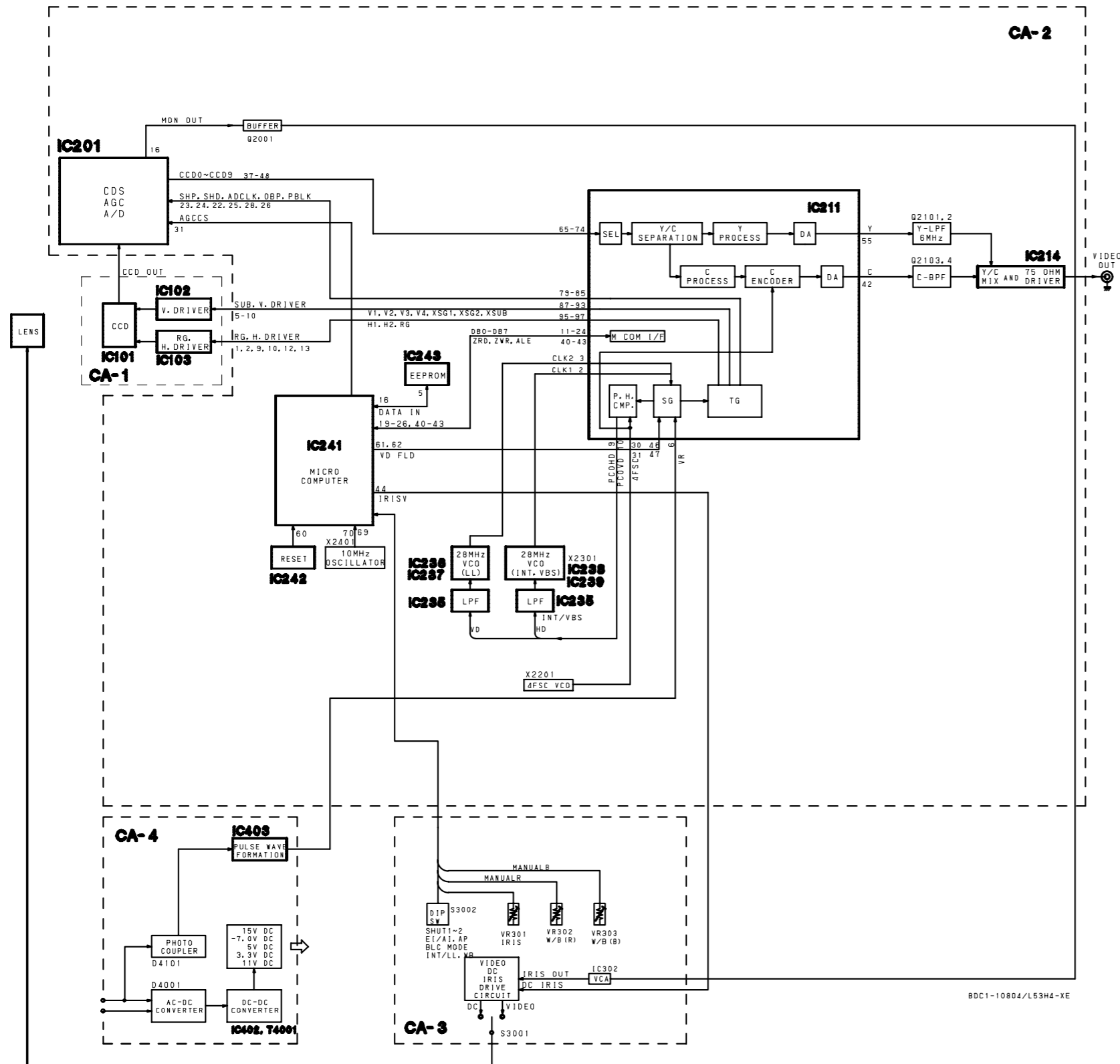
CA-2 BOARD SIGNAL PROCESSOR & VCO UNIT



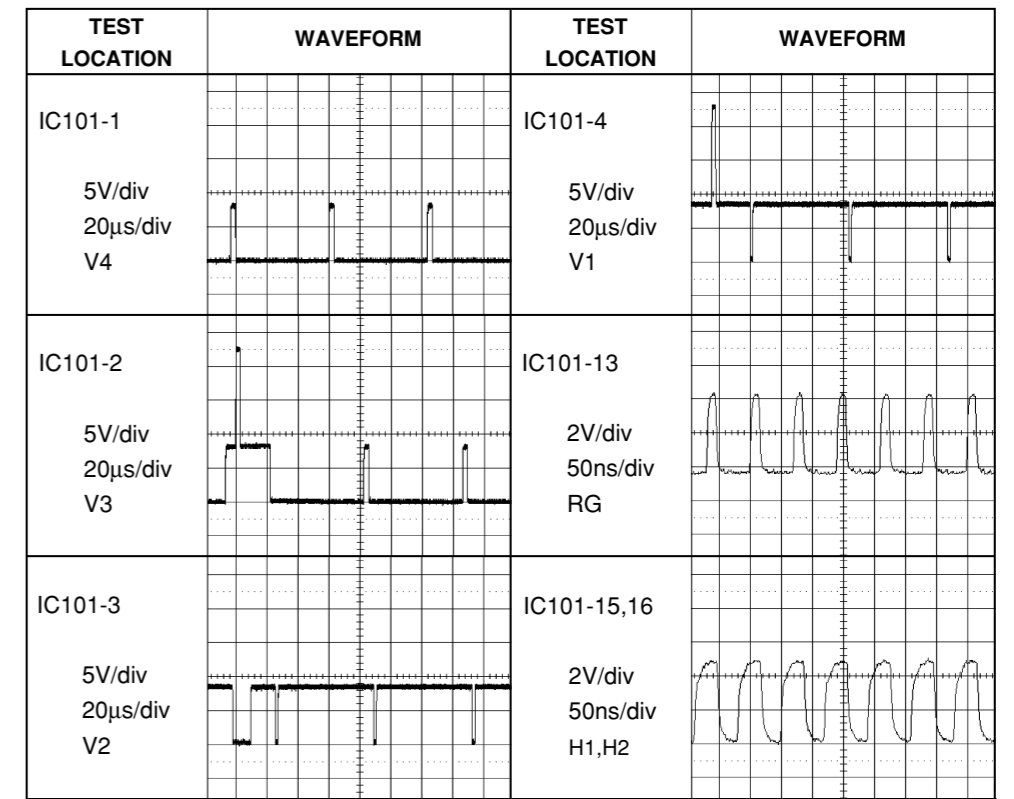
CA-3 BOARD IRIS UNIT



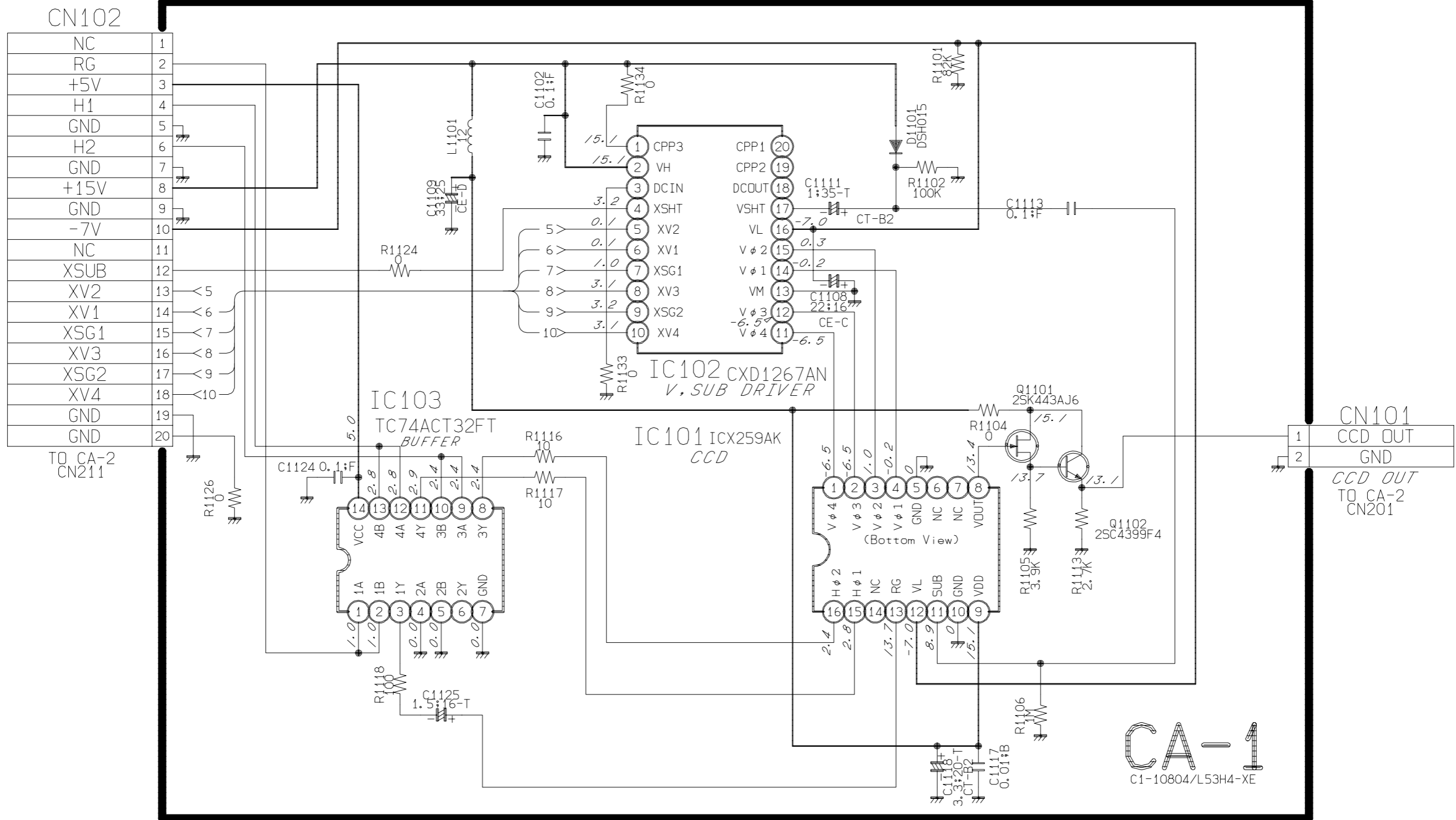
OVERALL CIRCUIT BLOCK DIAGRAM



CA-1 CIRCUIT WAVEFORMS



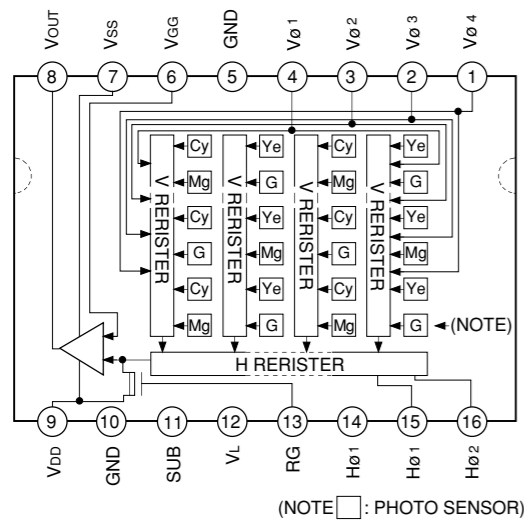
CA-1 CIRCUIT



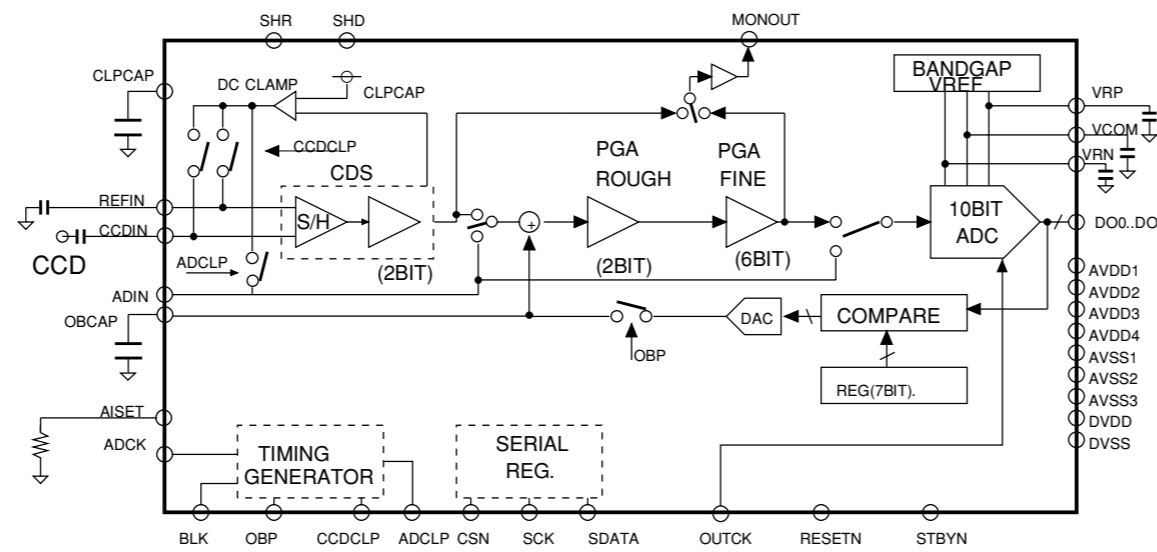
R	R: 1/16J	Ω
C	C:	μF
L	L: J	μH

CA-1
C1-10804/L53H4-XE

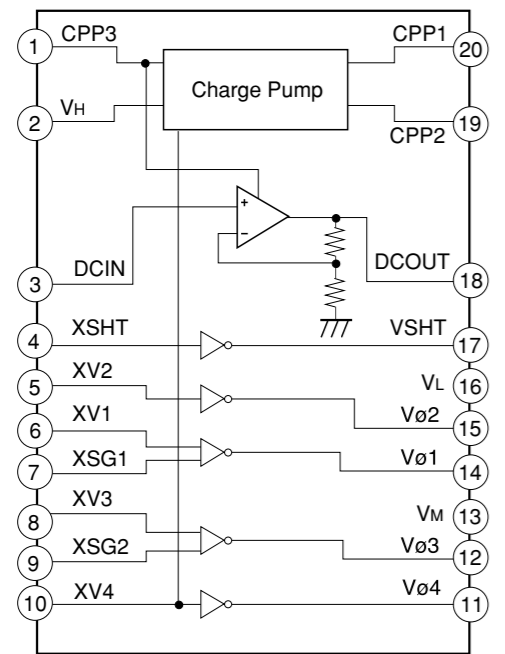
IC101 BLOCK DIAGRAM (ICX259AK)



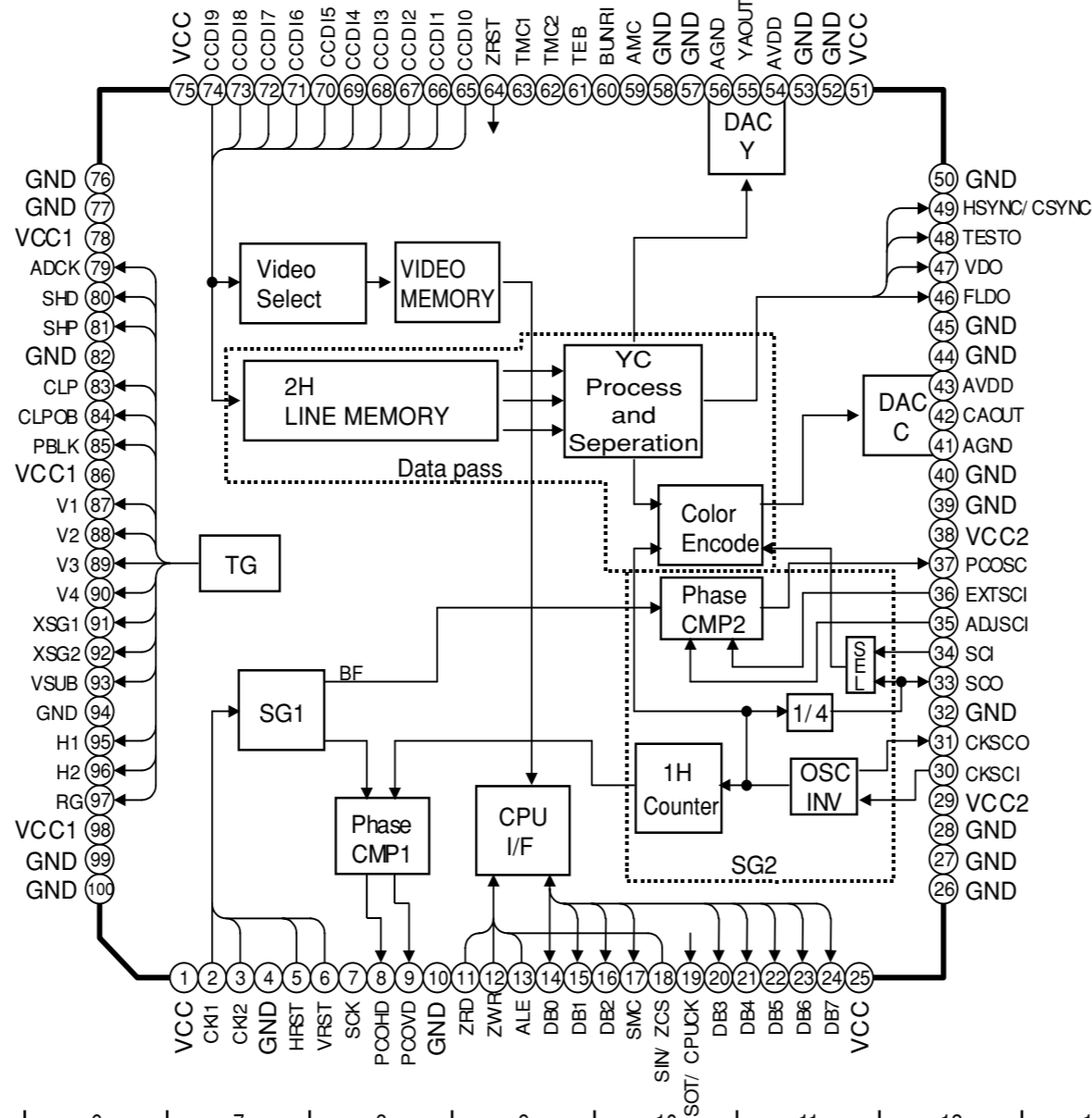
IC201 BLOCK DIAGRAM (AK5492)



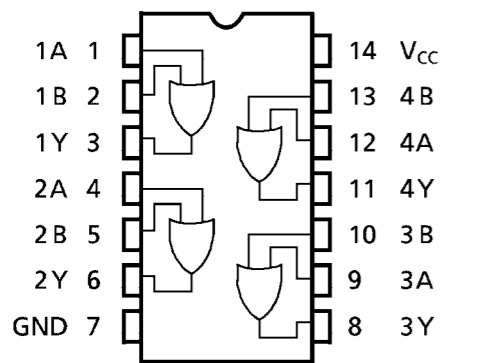
IC102 BLOCK DIAGRAM (CXD1267AN)



IC211 BLOCK DIAGRAM (SCC0020)



IC103 BLOCK DIAGRAM (TC74ACT32FT)



CA-2 CIRCUIT WAVEFORMS

