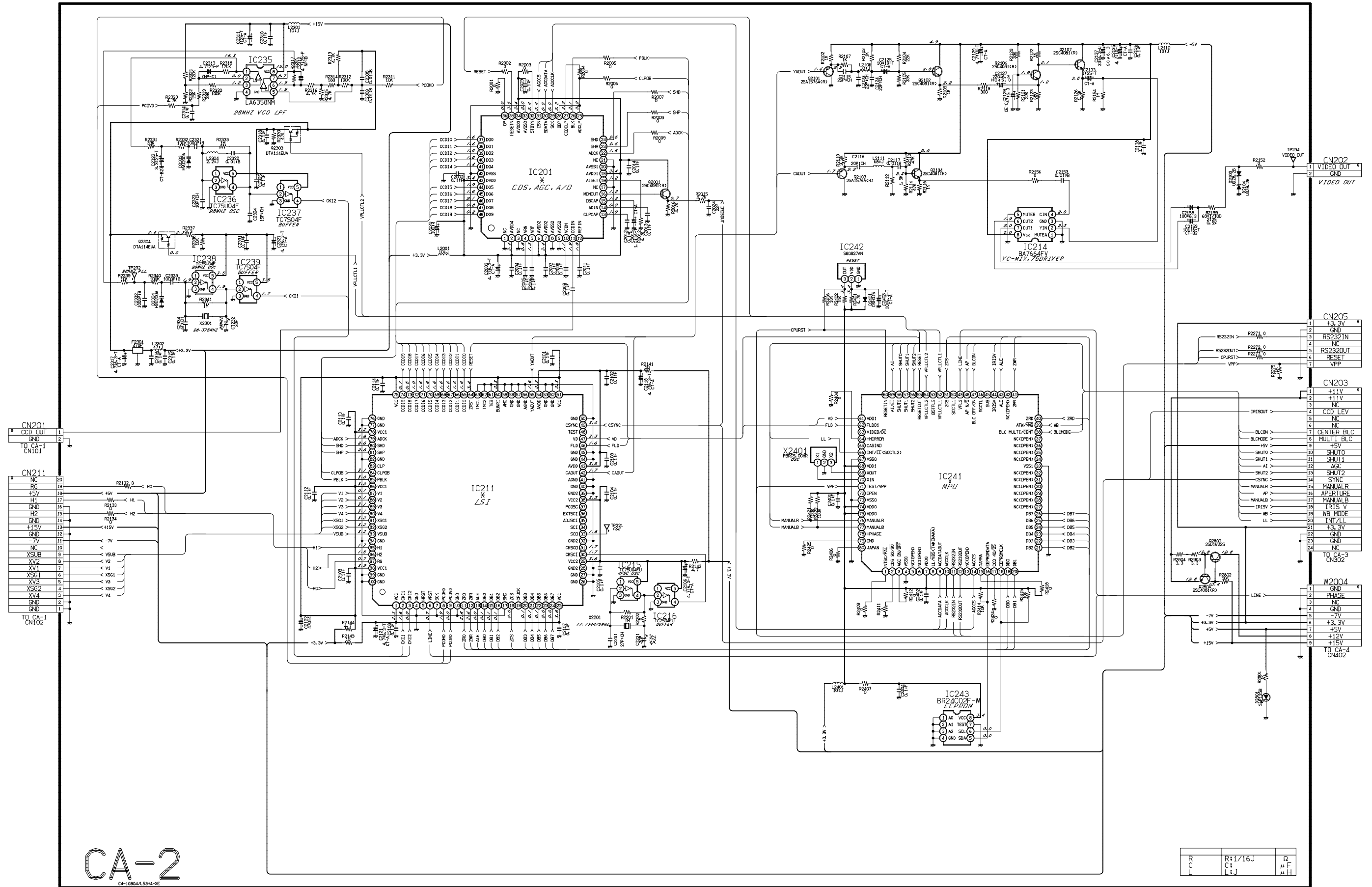


CA-2 CIRCUIT

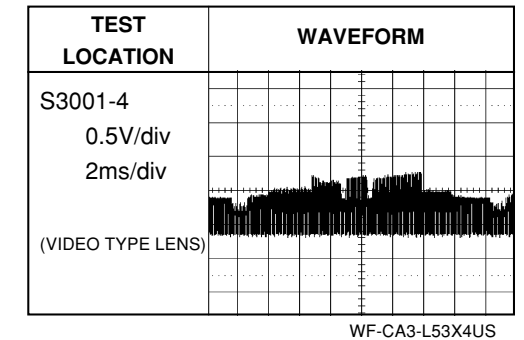
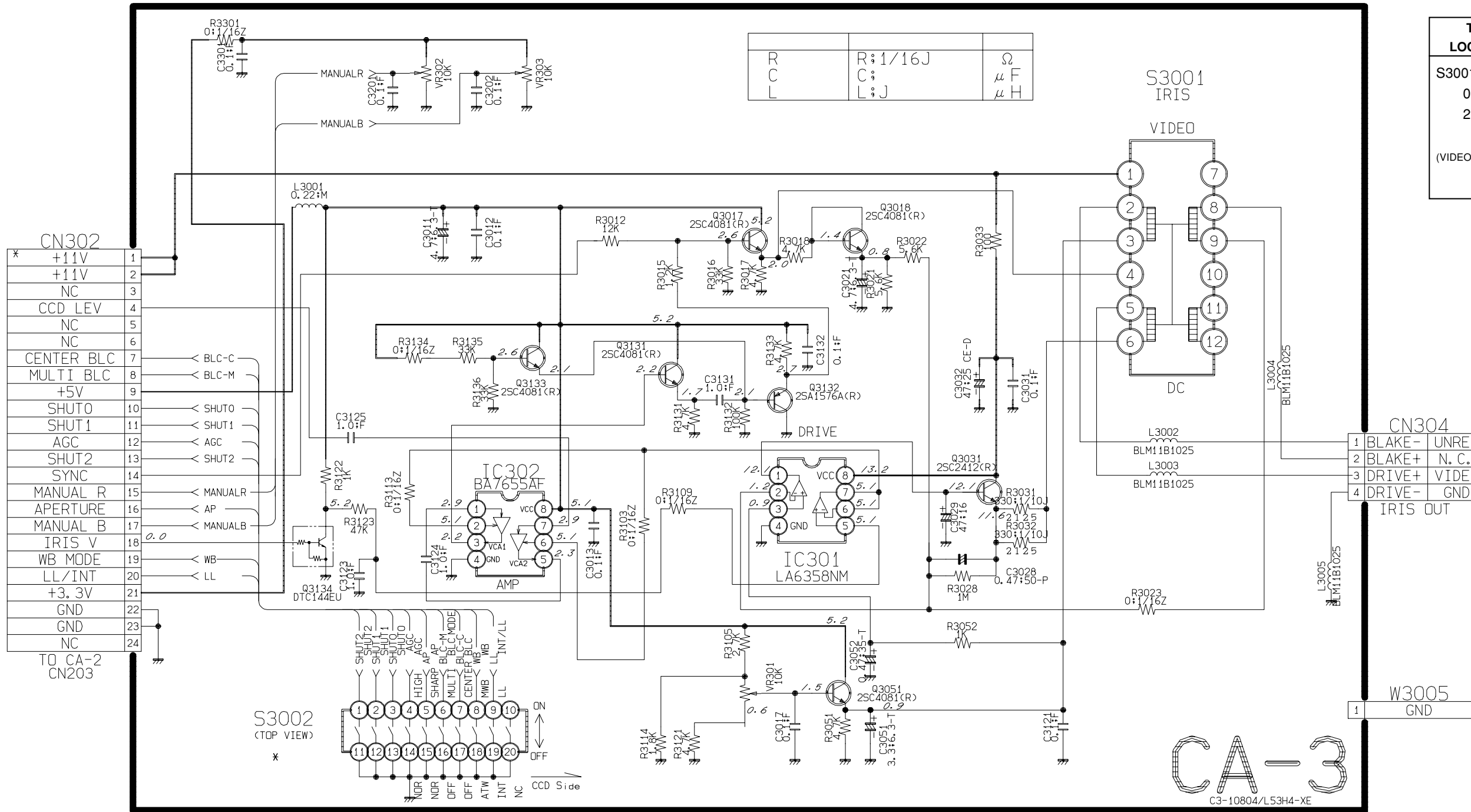


CA-2  
CA-1204/LS34-KE

R	R:1/16J	Ω
C	C:1	μF
L	L:J	μH

CA-3 CIRCUIT

CA-3 CIRCUIT WAVEFORM



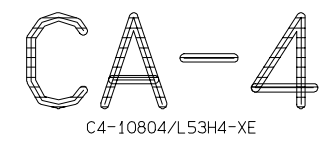
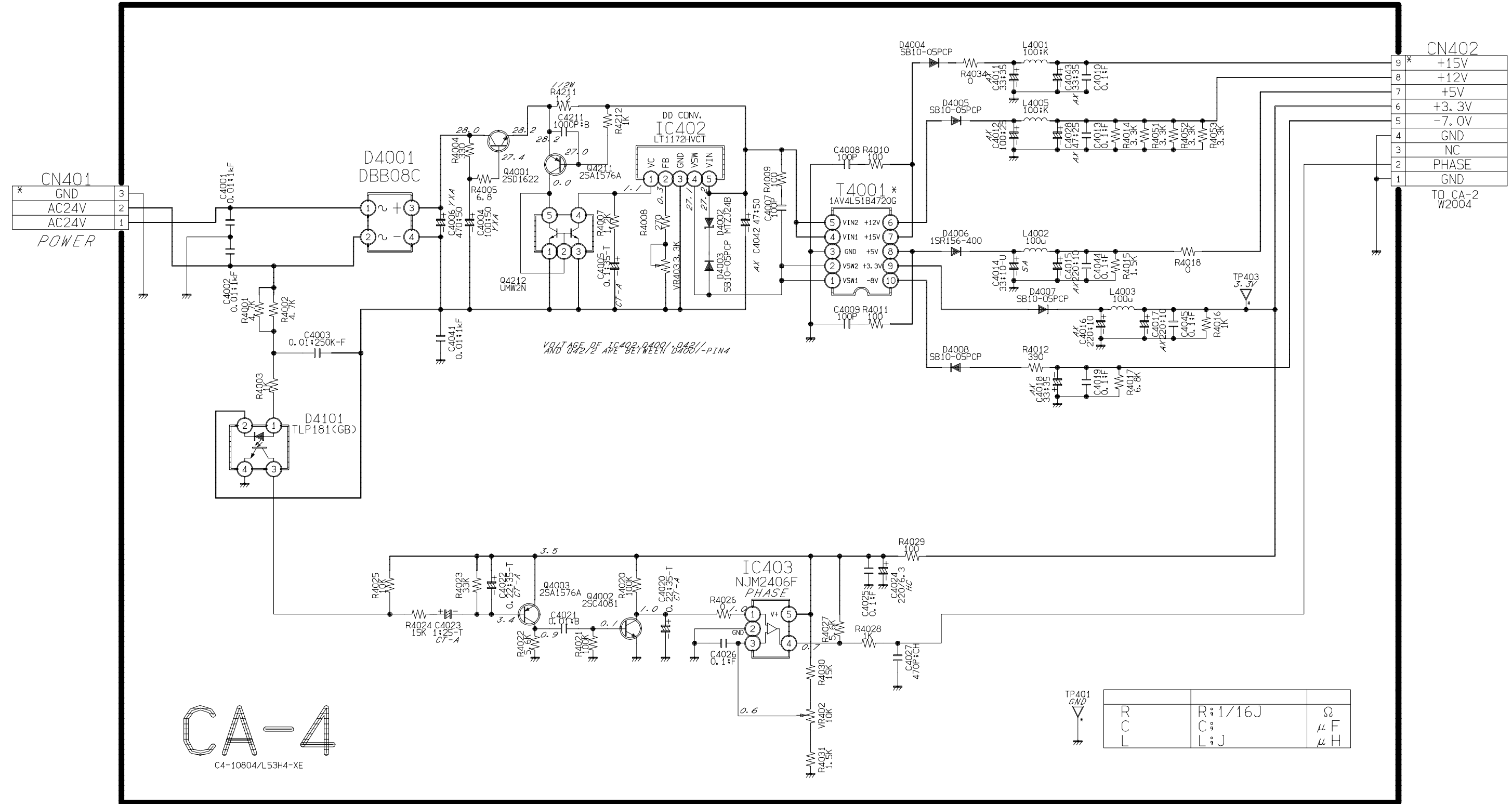
CN304

1	BLAKE -	UNREG
2	BLAKE +	N. C.
3	DRIVE +	VIDEO
4	DRIVE -	GND

IRIS OUT

CA-3  
C3-10804/L53H4-XE

CA-4 CIRCUIT



R	R: 1/16J	Ω
C	C: J	μ F
L	L: J	μ H

9*	+15V
8	+12V
7	+5V
6	+3.3V
5	-7.0V
4	GND
3	NC
2	PHASE
1	GND

TO CA-2 W2004

VOLTAGE OF IC402 Q4001, Q4211 AND Q4212 ARE BETWEEN D4001-PIN4