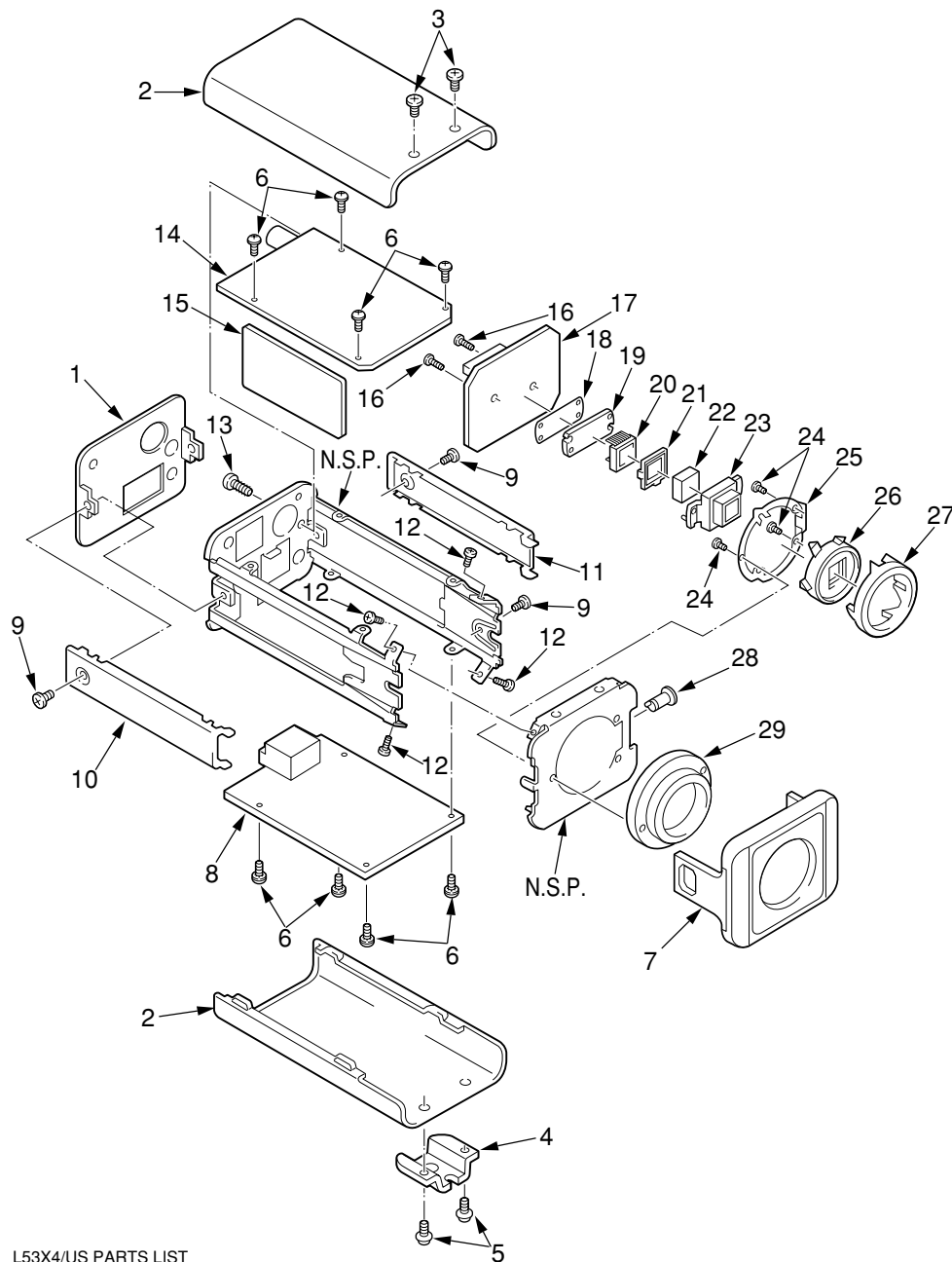


4. PARTS LIST

LOCATION	PARTS NO.	DESCRIPTION	LOCATION	PARTS NO.	DESCRIPTION
CABINET & CHASSIS PARTS					
1	613 194 1182	DEC,INDICATOR	16	411 167 1302	SCR S-TPG BIN 2X7A
2	613 156 4015	COVER BOTTOM	17	613 197 1813	COMPL PWB,CA-1
3	412 051 6007	SPECIAL SCREW-3X4	18	613 194 1199	SPACER INSULATOR
4	613 159 2797	MOUNTING	19	613 194 2813	HOLDER CCD
5	411 126 4702	SCR PAN+SW+W 3X6	20	409 498 2105	IC ICX259AK-7 (IC101)
6	411 129 5102	SCR PAN+SW+W 2X5	21	613 188 0771	SPACER
7	613 194 1106	CABINET FRONT	22	645 050 7496	OPTICAL FILTER
8	613 197 1844	COMPL PWB,CA-4	23	613 194 2707	HOUSING,CRYSTAL
9	412 054 3805	SPECIAL SCREW-2.0X4.0	24	411 125 8503	SCR PAN PCS 2X4
10	613 197 3763	COVER SIDE-L	25	613 156 4442	SPRING PLATE
11	613 197 3756	COVER SIDE-R	26	613 156 4695	HOUSING CCD
12	411 126 1404	SCR S-TPG BIN 2X4	27	613 156 4114	SLIDE
13	411 023 4201	SCR S-TPG PAN 3X10	28	613 161 8350	CAM
14	613 197 1820	COMPL PWB,CA-2	29	613 156 4091	MOUNTING,LENS
15	613 197 1837	COMPL PWB,CA-3			

N.S.P.: Not available as service parts.



L53X4/US PARTS LIST

Note:

1. Materials of Capacitors and Resistors are abbreviated as follows ;

Resistors

MT-FILM Metallized Film Resistor
MT-GLAZE Metallized Glaze Resistor
OXIDE-MT Oxide Metallized Film Resistor

Capacitors

MT-POLYEST Metallized Polyester Capacitor
MT-COMPO Metallized Composite Capacitor
TA-SOLID Tantalum Solid Capacitor
AL-SOLID Aluminum Solid Capacitor
NP-ELECT Non-Polarized Electrolytic Capacitor
OS-SOLID Aluminum Solid Capacitors with Organic Semiconductive Electrolytic Capacitor
DL-ELECT Double Layered Electrolytic Capacitor

2. Tolerance of Capacitor (10pF over) and Resistor are noted with follow symboles.

F1% G2% J5% K10%
M20% N30% Z+80% ~ -20%

3. Capacitors

U : μ F P : pF

4. Inductors

UH : μ H MH : mH

5. N.S.P. : Not available as service parts.

LOCATION	PARTS NO.	DESCRIPTION	LOCATION	PARTS NO.	DESCRIPTION
COMPL PWB,CA-1 613 197 1813			Q2303	405 135 9407	TR DTA114EUA
(SEMICONDUCTORS)			Q2304	405 135 9407	TR DTA114EUA
Q1101	405 045 8200	TR 2SK443-6-TB	Q2803	405 047 5900	TR 2SD1622-S
Q1102	405 079 6302	TR 2SC4399-5	Q2804	405 092 4101	TR 2SC4081-R
(INTEGRATED CIRCUITS)			(INTEGRATED CIRCUITS)		
IC102	409 366 9700	IC CXD1267AN	IC201	409 494 0204	IC AK5492
IC103	409 427 7805	IC TC74ACT32FT	IC211	410 388 5106	IC SCC0020
(DIODES)			IC214	409 475 2005	IC BA7664FV
D1101	407 113 5609	DIODE DSH015	IC215	409 320 9104	IC TC7SU04FU
(INDUCTOR)			IC216	409 323 9002	IC TC7S04FU
L1101	645 003 9423	INDUCTOR,12U J	IC235	409 246 9707	IC LA6358NM
(CAPACITOR)			IC236	409 155 8105	IC TC7SU04F
C1102	403 164 0204	CERAMIC 0.1U Z 25V	IC237	409 155 8006	IC TC7S04F
C1108	403 175 4109	ELECT 22U M 16V	IC238	409 155 8105	IC TC7SU04F
C1109	403 175 0705	ELECT 33U M 25V	IC239	409 155 8006	IC TC7S04F
C1111	403 285 6406	TA-SOLID 1U M 35V	IC241	410 428 1808	IC UPD78F4225YGC-8BT
C1113	403 164 0204	CERAMIC 0.1U Z 25V	IC242	409 491 1006	IC S80827ANUP-EDQ
C1117	403 155 1807	CERAMIC 0.01U K 25V	IC243	409 477 2102	IC BR24C02F-W
C1118	403 285 4808	TA-SOLID 3.3U M 20V	(DIODES)		
C1124	403 164 0204	CERAMIC 0.1U Z 25V	D2103	407 187 5802	ZENER DIODE UDZ8.2B
C1125	403 143 3905	TA-SOLID 1.5U M 16V	D2104	407 187 5802	ZENER DIODE UDZ8.2B
(RESISTORS)			D2303	407 174 1909	VARACTOR DI HVU200A4TRV
R1101	401 105 7503	MT-GLAZE 82K JA 1/16W	D2304	407 174 1909	VARACTOR DI HVU200A4TRV
R1102	401 105 0702	MT-GLAZE 100K JA 1/16W	D2401	407 113 5609	DIODE DSH015
R1104	401 105 7909	MT-GLAZE 0.000 ZA 1/16W	D2801	407 065 3906	LED SLP-135B-51
R1105	401 105 4601	MT-GLAZE 3.9K JA 1/16W	(CRYSTAL DEVICES)		
R1106	401 105 8005	MT-GLAZE 1M JA 1/16W	X2201	645 017 6050	OSC,CRYSTAL 17.734475MHZ
R1113	401 105 3307	MT-GLAZE 2.7K JA 1/16W	X2301	645 007 6947	OSC,CRYSTAL 28.375KHZ
R1116	401 105 0306	MT-GLAZE 10 JA 1/16W	X2401	645 045 4554	OSC,CERAMIC 5.00MHZ
R1117	401 105 0306	MT-GLAZE 10 JA 1/16W	(TRIMMERS)		
R1118	401 105 0405	MT-GLAZE 100 JA 1/16W	CT221	645 005 0411	TRIMMER,30PF
R1124	401 105 7909	MT-GLAZE 0.000 ZA 1/16W	CT232	645 005 0411	TRIMMER,30PF
R1126	401 105 7909	MT-GLAZE 0.000 ZA 1/16W	(INDUCTORS)		
R1133	401 105 7909	MT-GLAZE 0.000 ZA 1/16W	L2001	645 003 9386	INDUCTOR,10U J
R1134	401 105 7909	MT-GLAZE 0.000 ZA 1/16W	L2106	645 003 9522	INDUCTOR,33U J
(CONNECTORS)			L2110	645 003 9386	INDUCTOR,10U J
CN101	645 028 6025	PLUG,COAXIAL CABL(N.S.P)	L2111	645 003 9560	INDUCTOR,68U J
CN102	645 007 7074	SOCKET,FPC 20P (N.S.P)	L2301	645 003 9386	INDUCTOR,10U J
			L2302	645 003 9546	INDUCTOR,47U J
			L2304	645 004 2614	INDUCTOR,2.2U J
			L2401	645 003 9386	INDUCTOR,10U J
			(CAPACITORS)		
COMPL PWB,CA-2 613 197 1820			C2002	403 164 0204	CERAMIC 0.1U Z 25V
(SEMICONDUCTORS)			C2003	403 285 3603	TA-SOLID 4.7U M 6.3V
Q2001	405 092 4101	TR 2SC4081-R	C2004	403 164 0204	CERAMIC 0.1U Z 25V
Q2101	405 137 2000	TR 2SA1576A-R	C2005	403 164 0204	CERAMIC 0.1U Z 25V
Q2102	405 092 4101	TR 2SC4081-R	C2006	403 164 0204	CERAMIC 0.1U Z 25V
Q2103	405 137 2000	TR 2SA1576A-R	C2007	403 164 0204	CERAMIC 0.1U Z 25V
Q2104	405 092 4101	TR 2SC4081-R	C2008	403 164 0204	CERAMIC 0.1U Z 25V
Q2106	405 092 4101	TR 2SC4081-R	C2009	403 164 0204	CERAMIC 0.1U Z 25V
Q2107	405 092 4101	TR 2SC4081-R	C2011	403 164 0204	CERAMIC 0.1U Z 25V
			C2012	403 164 0204	CERAMIC 0.1U Z 25V
			C2013	403 164 0204	CERAMIC 0.1U Z 25V

LOCATION	PARTS NO.	DESCRIPTION	LOCATION	PARTS NO.	DESCRIPTION
C2014	403 164 0204	CERAMIC 0.1U Z 25V	R2103	401 105 0504	MT-GLAZE 1K JA 1/16W
C2015	403 285 4303	TA-SOLID 1U M 16V	R2104	401 105 2904	MT-GLAZE 22K JA 1/16W
C2020	403 175 3102	ELECT 100U M 4V	R2105	401 105 4205	MT-GLAZE 33K JA 1/16W
C2023	403 164 0204	CERAMIC 0.1U Z 25V	R2107	401 105 0504	MT-GLAZE 1K JA 1/16W
C2024	403 145 9905	CERAMIC 22P J 50V	R2109	401 105 0504	MT-GLAZE 1K JA 1/16W
C2101	403 164 0204	CERAMIC 0.1U Z 25V	R2110	401 105 4106	MT-GALZE 3.3K JA 1/16W
C2102	403 164 0204	CERAMIC 0.1U Z 25V	R2112	401 105 1501	MT-GLAZE 1.5K JA 1/16W
C2103	403 164 0204	CERAMIC 0.1U Z 25V	R2113	401 105 5400	MT-GLAZE 47K JA 1/16W
C2104	403 164 0204	CERAMIC 0.1U Z 25V	R2114	401 105 5400	MT-GLAZE 47K JA 1/16W
C2105	403 164 0204	CERAMIC 0.1U Z 25V	R2116	401 105 0504	MT-GLAZE 1K JA 1/16W
C2106	403 285 3603	TA-SOLID 4.7U M 6.3V	R2119	401 113 5102	MT-GLAZE 300 JA 1/16W
C2107	403 164 0204	CERAMIC 0.1U Z 25V	R2120	401 105 4205	MT-GLAZE 33K JA 1/16W
C2108	403 164 0204	CERAMIC 0.1U Z 25V	R2121	401 105 2904	MT-GLAZE 22K JA 1/16W
C2109	403 164 0204	CERAMIC 0.1U Z 25V	R2122	401 105 0504	MT-GLAZE 1K JA 1/16W
C2112	403 164 0204	CERAMIC 0.1U Z 25V	R2123	401 105 6506	MT-GLAZE 680 JA 1/16W
C2113	403 164 0204	CERAMIC 0.1U Z 25V	R2126	401 105 1501	MT-GLAZE 1.5K JA 1/16W
C2114	403 164 0204	CERAMIC 0.1U Z 25V	R2132	401 105 7909	MT-GLAZE 0.000 ZA 1/16W
C2115	403 145 9905	CERAMIC 22P J 50V	R2133	401 105 7909	MT-GLAZE 0.000 ZA 1/16W
C2116	403 157 2307	CERAMIC 20P J 50V	R2134	401 105 7909	MT-GLAZE 0.000 ZA 1/16W
C2117	403 155 1807	CERAMIC 0.01U K 25V	R2141	401 105 0306	MT-GLAZE 10 JA 1/16W
C2118	403 285 3603	TA-SOLID 4.7U M 6.3V	R2142	401 158 4108	MT-GLAZE 4.7 JA 1/16W
C2121	403 285 3603	TA-SOLID 4.7U M 6.3V	R2143	401 105 0306	MT-GLAZE 10 JA 1/16W
C2122	403 280 0508	ELECT 470U M 4V	R2144	401 158 4108	MT-GLAZE 4.7 JA 1/16W
C2123	403 145 9905	CERAMIC 22P J 50V	R2152	401 105 7909	MT-GLAZE 0.000 ZA 1/16W
C2124	403 145 9905	CERAMIC 22P J 50V	R2154	401 105 8005	MT-GLAZE 1M JA 1/16W
C2125	403 305 0001	TA-SOLID 10U M 10V	R2156	401 105 7909	MT-GLAZE 0.000 ZA 1/16W
C2127	403 232 9702	ELECT 220U M 6.3V	R2159	401 219 1503	MT-FILM 68 DC 1/10W
C2128	403 175 4505	ELECT 47U M 6.3V	R2201	401 105 8005	MT-GLAZE 1M JA 1/16W
C2129	403 285 4006	TA-SOLID 4.7U M 10V	R2202	401 105 7909	MT-GLAZE 0.000 ZA 1/16W
C2133	403 285 5003	TA-SOLID 1U M 25V	R2271	401 105 7909	MT-GLAZE 0.000 ZA 1/16W
C2135	403 285 4006	TA-SOLID 4.7U M 10V	R2272	401 105 7909	MT-GLAZE 0.000 ZA 1/16W
C2136	403 164 0204	CERAMIC 0.1U Z 25V	R2273	401 105 7909	MT-GLAZE 0.000 ZA 1/16W
C2137	403 093 5103	OS-SOLID 33U M 6.3V	R2275	401 105 0603	MT-GLAZE 10K JA 1/16W
C2138	403 164 0204	CERAMIC 0.1U Z 25V	R2311	401 105 0603	MT-GLAZE 10K JA 1/16W
C2153	403 155 1807	CERAMIC 0.01U K 25V	R2312	401 105 0702	MT-GLAZE 100K JA 1/16W
C2158	403 175 0606	ELECT 100U M 6.3V	R2313	401 105 5301	MT-GLAZE 4.7K JA 1/16W
C2159	403 285 7700	TA-SOLID 10U M 16V	R2314	401 105 1907	MT-GLAZE 180 JA 1/16W
C2201	403 157 2505	CERAMIC 27P J 50V	R2315	401 105 5301	MT-GLAZE 4.7K JA 1/16W
C2308	403 155 1807	CERAMIC 0.01U K 25V	R2316	401 105 5301	MT-GLAZE 4.7K JA 1/16W
C2309	403 155 1807	CERAMIC 0.01U K 25V	R2317	401 105 3000	MT-GLAZE 220K JA 1/16W
C2310	403 164 0204	CERAMIC 0.1U Z 25V	R2318	401 105 1204	MT-GLAZE 120K JA 1/16W
C2311	403 285 5003	TA-SOLID 1U M 25V	R2319	401 105 4700	MT-GLAZE 39K JA 1/16W
C2312	403 150 2106	NP-ELECT 4.7U M 25V	R2320	401 105 0702	MT-GLAZE 100K JA 1/16W
C2313	403 150 2106	NP-ELECT 4.7U M 25V	R2321	401 105 1204	MT-GLAZE 120K JA 1/16W
C2314	403 164 0204	CERAMIC 0.1U Z 25V	R2322	401 105 1600	MT-GLAZE 15K JA 1/16W
C2315	403 164 0204	CERAMIC 0.1U Z 25V	R2323	401 105 5301	MT-GLAZE 4.7K JA 1/16W
C2316	403 164 0204	CERAMIC 0.1U Z 25V	R2330	401 105 5400	MT-GLAZE 47K JA 1/16W
C2317	403 285 3603	TA-SOLID 4.7U M 6.3V	R2331	401 105 4205	MT-GLAZE 33K JA 1/16W
C2318	403 164 0204	CERAMIC 0.1U Z 25V	R2332	401 105 0702	MT-GLAZE 100K JA 1/16W
C2320	403 219 3907	TA-SOLID 3.3U M 25V	R2333	401 105 8005	MT-GLAZE 1M JA 1/16W
C2321	403 113 3805	CERAMIC 1000P K 50V	R2337	401 158 4009	MT-GLAZE 3.3 JA 1/16W
C2322	403 155 1807	CERAMIC 0.01U K 25V	R2338	401 105 0603	MT-GLAZE 10K JA 1/16W
C2323	403 157 1904	CERAMIC 10P D 50V	R2339	401 105 0603	MT-GLAZE 10K JA 1/16W
C2324	403 155 4204	CERAMIC 15P J 50V	R2340	401 105 0702	MT-GLAZE 100K JA 1/16W
C2325	403 164 0204	CERAMIC 0.1U Z 25V	R2341	401 105 8005	MT-GLAZE 1M JA 1/16W
C2327	403 285 3603	TA-SOLID 4.7U M 6.3V	R2401	401 105 5301	MT-GLAZE 4.7K JA 1/16W
C2331	403 164 0204	CERAMIC 0.1U Z 25V	R2402	401 105 0603	MT-GLAZE 10K JA 1/16W
C2332	403 113 3805	CERAMIC 1000P K 50V	R2404	401 105 7909	MT-GLAZE 0.000 ZA 1/16W
C2333	403 113 3805	CERAMIC 1000P K 50V	R2406	401 105 7909	MT-GLAZE 0.000 ZA 1/16W
C2334	403 157 1607	CERAMIC 6P D 50V	R2407	401 105 7909	MT-GLAZE 0.000 ZA 1/16W
C2401	403 164 0204	CERAMIC 0.1U Z 25V	R2409	401 105 7909	MT-GLAZE 0.000 ZA 1/16W
C2402	403 164 0204	CERAMIC 0.1U Z 25V	R2411	401 105 7909	MT-GLAZE 0.000 ZA 1/16W
C2403	403 285 6802	TA-SOLID 10U M 6.3V	R2412	401 105 7909	MT-GLAZE 0.000 ZA 1/16W
C2404	403 164 0204	CERAMIC 0.1U Z 25V	R2414	401 105 0603	MT-GLAZE 10K JA 1/16W
R2001	401 105 7909	MT-GLAZE 0.000 ZA 1/16W	R2415	401 105 0603	MT-GLAZE 10K JA 1/16W
R2002	401 105 7909	MT-GLAZE 0.000 ZA 1/16W	R2416	401 105 0603	MT-GLAZE 10K JA 1/16W
R2003	401 105 7909	MT-GLAZE 0.000 ZA 1/16W	R2418	401 105 7909	MT-GLAZE 0.000 ZA 1/16W
R2004	401 105 7909	MT-GLAZE 0.000 ZA 1/16W	R2421	401 105 0702	MT-GLAZE 100K JA 1/16W
R2005	401 105 7909	MT-GLAZE 0.000 ZA 1/16W	R2422	401 105 0702	MT-GLAZE 100K JA 1/16W
R2006	401 105 7909	MT-GLAZE 0.000 ZA 1/16W	R2424	401 105 7909	MT-GLAZE 0.000 ZA 1/16W
R2007	401 105 7909	MT-GLAZE 0.000 ZA 1/16W	R2425	401 105 7909	MT-GLAZE 0.000 ZA 1/16W
R2008	401 105 7909	MT-GLAZE 0.000 ZA 1/16W	R2801	401 105 0504	MT-GLAZE 1K JA 1/16W
R2009	401 105 7909	MT-GLAZE 0.000 ZA 1/16W	R2802	401 105 0603	MT-GLAZE 10K JA 1/16W
R2012	401 105 5301	MT-GLAZE 4.7K JA 1/16W	R2803	401 038 2507	MT-GLAZE 3.3 JA 1/10W
R2015	401 105 5301	MT-GLAZE 4.7K JA 1/16W	R2804	401 038 2507	MT-GLAZE 3.3 JA 1/10W
R2016	401 105 5301	MT-GLAZE 4.7K JA 1/16W	(FILTER)		
R2102	401 105 0504	MT-GLAZE 1K JA 1/16W	F2301	645 006 3404	FILTER,EMI 470PF

LOCATION	PARTS NO.	DESCRIPTION
(CONNECTORS)		
CN201	645 028 6025	PLUG,COAXIAL CABL(N.S.P)
CN202	645 004 9231	SOCKET,BNC 1P (N.S.P)
CN203	645 023 3319	PLUG,24P (N.S.P)
CN205	645 002 3057	PLUG,7P (N.S.P)
CN211	645 007 7074	SOCKET,FPC 20P (N.S.P)

COMPL PWB,CA-3

613 197 1837

(SEMICONDUCTORS)		
Q3017	405 092 4101	TR 2SC4081-R
Q3018	405 092 4101	TR 2SC4081-R
Q3031	405 014 4509	TR 2SC2412K-R
Q3051	405 092 4101	TR 2SC4081-R
Q3131	405 092 4101	TR 2SC4081-R
Q3132	405 137 2000	TR 2SA1576A-R
Q3133	405 092 4101	TR 2SC4081-R
Q3134	405 096 2400	TR DTC144EU
(INTEGRATED CIRCUITS)		
IC301	409 246 9707	IC LA6358NM
IC302	409 341 4102	IC BA7655AF
(VARIABLE RESISTORS)		
VR301	645 005 5805	VR,SEMI,10K S
VR302	645 005 5805	VR,SEMI,10K S
VR303	645 005 5805	VR,SEMI,10K S
(INDUCTORS)		
L3001	645 003 8983	INDUCTOR,0.22U M
L3002	645 018 3553	INDUCTOR,1000 OHM
L3003	645 018 3553	INDUCTOR,1000 OHM
L3004	645 018 3553	INDUCTOR,1000 OHM
L3005	645 018 3553	INDUCTOR,1000 OHM
(CAPACITORS)		
C3011	403 285 3603	TA-SOLID 4.7U M 6.3V
C3012	403 164 0204	CERAMIC 0.1U Z 25V
C3013	403 164 0204	CERAMIC 0.1U Z 25V
C3017	403 164 0204	CERAMIC 0.1U Z 25V
C3021	403 285 3603	TA-SOLID 4.7U M 6.3V
C3028	403 172 6502	NP-ELECT 0.47U M 50V
C3029	403 175 3300	ELECT47U M 16V
C3031	403 164 0204	CERAMIC 0.1U Z 25V
C3032	403 280 1901	ELECT47U M 25V
C3051	403 285 3504	TA-SOLID 3.3U M 6.3V
C3052	403 285 7809	TA-SOLID 0.47U M 35V
C3121	403 164 0204	CERAMIC 0.1U Z 25V
C3123	403 283 6309	CERAMIC 1U Z 10V
C3124	403 283 6309	CERAMIC 1U Z 10V
C3125	403 283 6309	CERAMIC 1U Z 10V
C3131	403 283 6309	CERAMIC 1U Z 10V
C3132	403 164 0204	CERAMIC 0.1U Z 25V
C3201	403 164 0204	CERAMIC 0.1U Z 25V
C3202	403 164 0204	CERAMIC 0.1U Z 25V
C3301	403 164 0204	CERAMIC 0.1U Z 25V
(RESISTORS)		
R3012	401 105 1105	MT-GLAZE 12K JA 1/16W
R3015	401 105 1006	MT-GLAZE 1.2K JA 1/16W
R3016	401 105 4205	MT-GLAZE 33K JA 1/16W
R3017	401 105 5301	MT-GLAZE 4.7K JA 1/16W
R3018	401 105 5301	MT-GLAZE 4.7K JA 1/16W
R3021	401 105 6001	MT-GLAZE 5.6K JA 1/16W
R3022	401 105 6001	MT-GLAZE 5.6K JA 1/16W
R3023	401 105 7909	MT-GLAZE 0.000 ZA 1/16W
R3028	401 105 8005	MT-GLAZE 1M JA 1/16W
R3031	401 038 3504	MT-GLAZE 330 JA 1/10W
R3032	401 038 3504	MT-GLAZE 330 JA 1/10W
R3033	401 105 0405	MT-GLAZE 100 JA 1/16W
R3051	401 105 5301	MT-GLAZE 4.7K JA 1/16W
R3052	401 105 0504	MT-GLAZE 1K JA 1/16W
R3103	401 105 7909	MT-GLAZE 0.000 ZA 1/16W
R3105	401 105 3307	MT-GLAZE 2.7K JA 1/16W
R3109	401 105 7909	MT-GLAZE 0.000 ZA 1/16W
R3113	401 105 7909	MT-GLAZE 0.000 ZA 1/16W
R3114	401 105 2003	MT-GLAZE 1.8K JA 1/16W
R3121	401 105 5301	MT-GLAZE 4.7K JA 1/16W
R3122	401 105 0504	MT-GLAZE 1K JA 1/16W
R3123	401 105 5400	MT-GLAZE 47K JA 1/16W

LOCATION	PARTS NO.	DESCRIPTION
R3131	401 105 5301	MT-GLAZE 4.7K JA 1/16W
R3132	401 105 0702	MT-GLAZE 100K JA 1/16W
R3133	401 105 5301	MT-GLAZE 4.7K JA 1/16W
R3134	401 105 7909	MT-GLAZE 0.000 ZA 1/16W
R3135	401 105 4205	MT-GLAZE 33K JA 1/16W
R3136	401 105 4205	MT-GLAZE 33K JA 1/16W
R3301	401 105 7909	MT-GLAZE 0.000 ZA 1/16W
(SWITCHES)		
S3001	645 033 1404	SWITCH,SLIDE 4P-2T, IRIS
S3002	645 023 3883	SWITCH,DIP 1P-1TX10,
(CONNECTORS)		
CN302	645 023 3326	SOCKET,24P (N.S.P)
CN304	645 043 7045	SOCKET,IRIS 4P (N.S.P)

COMPL PWB,CA-4

613 197 1844

(SEMICONDUCTORS)		
Q4001	405 047 5900	TR 2SD1622-S
Q4002	405 092 4101	TR 2SC4081-R
Q4003	405 137 2000	TR 2SA1576A-R
Q4211	405 137 2000	TR 2SA1576A-R
Q4212	405 129 9901	TR UMW2N
(INTEGRATED CIRCUITS)		
IC402	409 475 2104	IC LT1172HVCT/FLOW31
IC403	409 167 7202	IC NJM2406F
(DIODES)		
D4001	407 103 0409	DIODE DBB08C
D4002	407 099 8700	ZENER DIODE MTZJ24B
D4003	407 066 8702	DIODE SB10-05PCP
D4004	407 066 8702	DIODE SB10-05PCP
D4005	407 066 8702	DIODE SB10-05PCP
D4006	407 222 4500	DIODE 1SR156-400
D4007	407 066 8702	DIODE SB10-05PCP
D4008	407 066 8702	DIODE SB10-05PCP
D4101	407 173 1108	PHOTO COUPLE TLP181-GB
(VARIABLE RESISTORS)		
VR402	613 002 1557	SEMI VR
VR403	645 003 7597	VR,SEMI,3.3K N
(INDUCTORS)		
L4001	645 003 9591	INDUCTOR,100U K
L4002	645 041 9355	INDUCTOR,100U K
L4003	645 041 9355	INDUCTOR,100U K
L4005	645 003 9591	INDUCTOR,100U K
(TRANSFORMER)		
T4001	645 051 5323	TRANS,POWER,PULSE
(CAPACITORS)		
C4001	403 232 9405	CERAMIC 0.01U Z 1KV
C4002	403 232 9405	CERAMIC 0.01U Z 1KV
C4003	403 114 5204	POLYESTER 0.01U K 250V
C4004	403 190 5402	ELECT 100U M 50V
C4005	403 285 7502	TA-SOLID 0.1U M 35V
C4006	403 211 8801	ELECT 470U M 50V
C4007	403 157 3601	CERAMIC 100P J 50V
C4008	403 157 3601	CERAMIC 100P J 50V
C4009	403 157 3601	CERAMIC 100P J 50V
C4010	403 164 0204	CERAMIC 0.1U Z 25V
C4011	403 337 7207	ELECT 33U M 35V
C4012	403 337 4107	ELECT 100U M 25V
C4013	403 164 0204	CERAMIC 0.1U Z 25V
C4014	403 093 7602	OS-SOLID 33U M 10V
C4015	403 333 2602	ELECT 220U M 10V
C4016	403 333 2602	ELECT 220U M 10V
C4017	403 333 2602	ELECT 220U M 10V
C4018	403 337 7207	ELECT 33U M 35V
C4019	403 164 0204	CERAMIC 0.1U Z 25V
C4020	403 285 6307	TA-SOLID 0.22U M 35V
C4021	403 155 1807	CERAMIC 0.01U K 25V
C4022	403 285 6307	TA-SOLID 0.22U M 35V
C4023	403 285 5003	TA-SOLID 1U M 25V
C4024	403 232 9702	ELECT 220U M 6.3V
C4025	403 164 0204	CERAMIC 0.1U Z 25V
C4026	403 164 0204	CERAMIC 0.1U Z 25V
C4027	403 215 1006	CERAMIC 470P J 50V
C4028	403 345 6100	ELECT 47U M 25V
C4041	403 232 9405	CERAMIC 0.01U Z 1KV

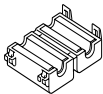
LOCATION	PARTS NO.	DESCRIPTION
C4042	403 334 7606	ELECT47U M 50V
C4043	403 337 7207	ELECT33U M 35V
C4044	403 164 0204	CERAMIC 0.1U Z 25V
C4045	403 164 0204	CERAMIC 0.1U Z 25V
C4211	403 113 3805	CERAMIC 1000P K 50V
(RESISTORS)		
R4001	401 038 6406	MT-GLAZE 4.7K JA 1/10W
R4002	401 038 6406	MT-GLAZE 4.7K JA 1/10W
R4003	401 037 5400	MT-GLAZE 1K JA 1/10W
R4004	401 038 3504	MT-GLAZE 330 JA 1/10W
R4005	401 177 2703	MT-GLAZE 6.8 JA 1/16W
R4007	401 105 1006	MT-GLAZE 1.2K JA 1/16W
R4008	401 105 3208	MT-GLAZE 270 JA 1/16W
R4009	401 105 0405	MT-GLAZE 100 JA 1/16W
R4010	401 105 0405	MT-GLAZE 100 JA 1/16W
R4011	401 105 0405	MT-GLAZE 100 JA 1/16W
R4012	401 038 5003	MT-GLAZE 390 JA 1/10W
R4014	401 038 3603	MT-GLAZE 3.3K JA 1/10W
R4015	401 105 1501	MT-GLAZE 1.5K JA 1/16W
R4016	401 105 0504	MT-GLAZE 1K JA 1/16W
R4017	401 105 6605	MT-GLAZE 6.8K JA 1/16W
R4018	401 037 5004	MT-GLAZE 0.000 ZA 1/10W
R4020	401 105 0702	MT-GLAZE 100K JA 1/16W
R4021	401 105 0702	MT-GLAZE 100K JA 1/16W
R4022	401 105 6001	MT-GLAZE 5.6K JA 1/16W
R4023	401 105 4205	MT-GLAZE 33K JA 1/16W
R4024	401 105 1600	MT-GLAZE 15K JA 1/16W
R4025	401 105 0603	MT-GLAZE 10K JA 1/16W
R4026	401 105 7909	MT-GLAZE 0.000 ZA 1/16W
R4027	401 105 6001	MT-GLAZE 5.6K JA 1/16W
R4028	401 105 0504	MT-GLAZE 1K JA 1/16W
R4029	401 105 0405	MT-GLAZE 100 JA 1/16W
R4030	401 105 1600	MT-GLAZE 15K JA 1/16W
R4031	401 105 1501	MT-GLAZE 1.5K JA 1/16W
R4034	401 037 5004	MT-GLAZE 0.000 ZA 1/10W
R4051	401 038 3603	MT-GLAZE 3.3K JA 1/10W
R4052	401 038 3603	MT-GLAZE 3.3K JA 1/10W
R4053	401 038 3603	MT-GLAZE 3.3K JA 1/10W
R4211	401 286 3905	OXIDE-MT 1.2 JA 1/2W
R4212	401 037 5400	MT-GLAZE 1K JA 1/10W
(CONNECTORS)		
CN401	645 018 2112	TERMINAL (N.S.P)
CN402	645 002 3071	PLUG,9P (N.S.P)

FLEXIBL FLAT CABLE

W1001 636 025 0079 FFC,47 20 1.0

ACCESSORIES & PACKING MATERIAL

636 009 7841	LENS CAP
613 195 9422	INSTRUCTION MANUAL
△ 645 040 7857	PLUG,IRIS 4P
645 052 1997	CORE,FERRITE (Core A)
645 052 1980	CORE,FERRITE (Core B)
613 197 6160	CARTON CASE INNER
613 182 9343	CUSHION BAG
613 197 6177	CARTON CASE OUTER



Core A (645 052 1997)



Core B (645 052 1980)



SANYO Electric Co., Ltd.
Osaka, Japan