

Notice



- CORRECTION PRODUCTION CHANGE
- SERVICE FLASH ADD INFORMATION
- FOR RoHS

FILE No.

Please add this notice to the Service manual listed below.

Category : Megapixel Camera		Date : Mar. 2010
Model Name	Reference No.	Destination
VDC-HD3100P	SM5310799	Europe, U.K., Southeast Asia
VDC-HD3100	SM5310799	U.S.A., Canada, Brazil, Taiwan

The reason of change.

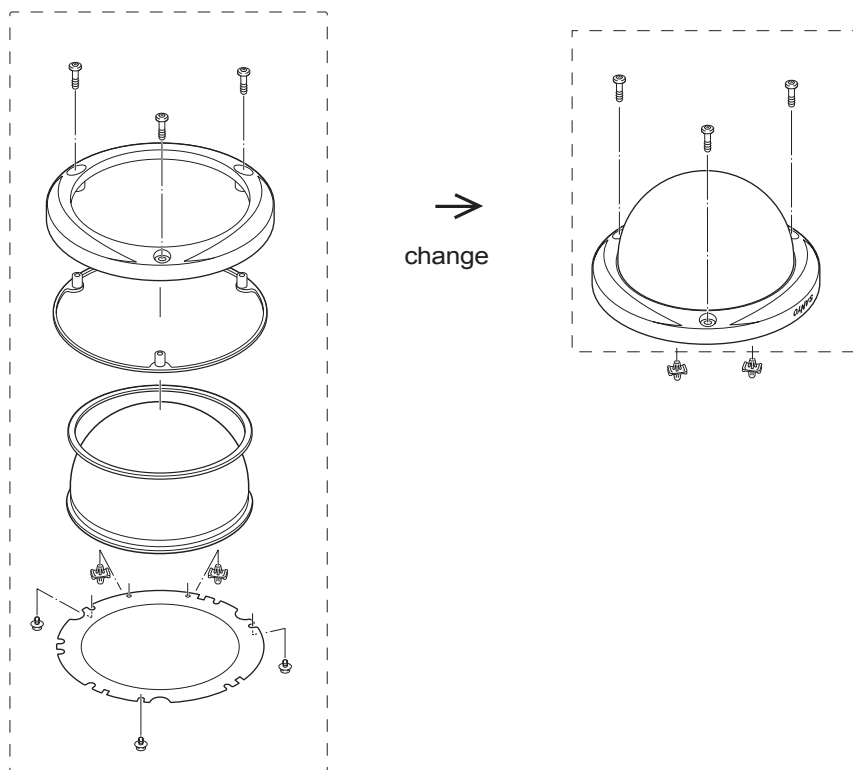
- A : Misprint
- B : Quality Reliability
- C : Standardization
- D : Design
- E : Deletion
- F : Addition
- G : Multiple Use

PAGE 5

REASON: B (Image quality)

1. DISASSEMBLY

1-1. REMOVAL OF CABINET



RoHS

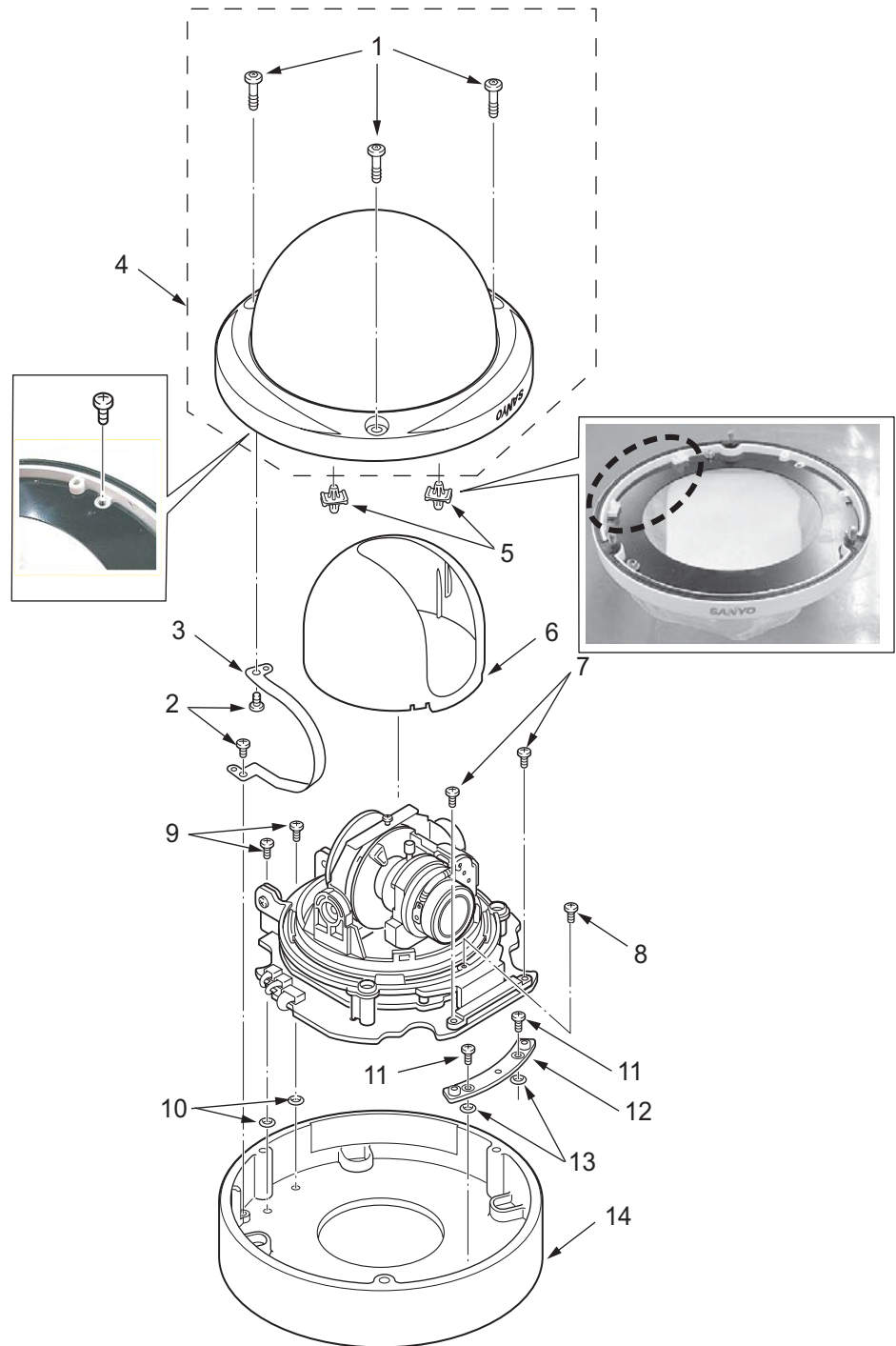
- This product does not contain any hazardous substances prohibited by the RoHS Directive.

WARNING

- You are requested to use RoHS compliant parts for maintenance or repair.
- You are requested to use lead-free solder.

1. DISASSEMBLY

1-1. REMOVAL OF CABINET

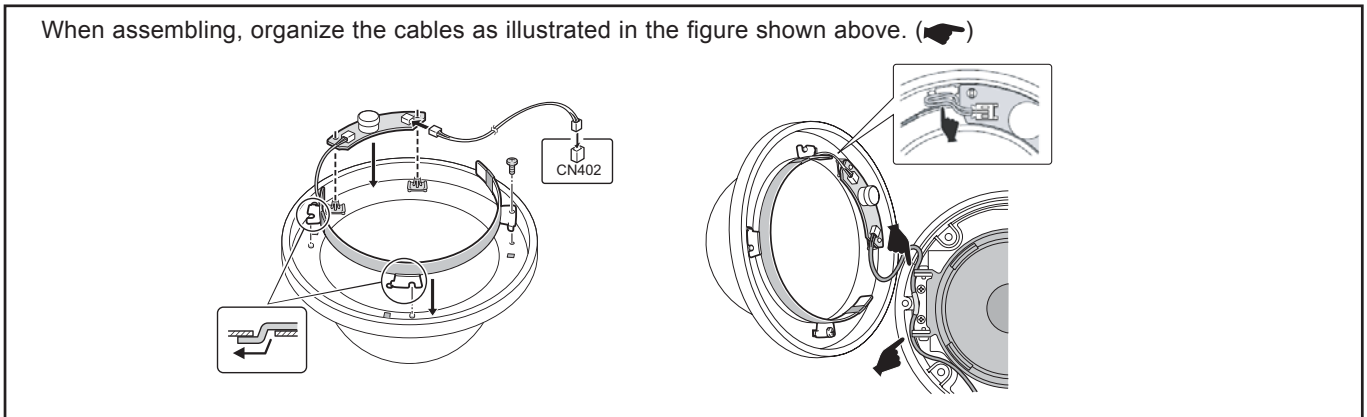


- 1. Three special screws
- 2. Two screws 3 x 4
- 3. Holder safety
- 4. Assy, cabinet top
- 5. Two spacers
- 6. Cover, inner
- 7. Two screws 3 x 10
- 8. Screws 3 x 4
- 9. Two screws 3 x 6
- 10. Two gasket O rings
- 11. Two screws 3 x 6
- 12. Holder CA2
- 13. Two gasket O rings
- 14. Cabinet bottom

PAGE 8

REASON: A (Misprint)

1-4. HEATER OPTION BOARD (VA-60H)



PAGE 9

REASON: A (Misprint)

2. ADJUSTMENT

2-1. Table for Servicing Tools

1. Calibration software

[Wrong]

Download the calibration software **and the firmware** from the following URL.

[Correct]

→ Download the calibration software from the following URL.

2-4. Connecting the camera to the computer

[Addition]

EX (VDC-HD3100P) or US (VDC-HD3100) is selected with Factory Mode.

PARTS LIST

The reason of change.

A : Misprint B : Quality Reliability C : Standardization D : Design
 E : Deletion F : Addition G : Multiple Use

Section		Location	Part No.	Description	Interchangeability	Reason
ACCESSORIES & PACKING MATERIALS (page12)	Old	9801	645 101 7161	DISC,CD-ROM L5DE2 PC SOFTWARE, INSTRUCTION MANUAL (N.S.P)	Wrong	A
	New	9801	645 101 7161	DISC,CD-ROM L5DE2 PC SOFTWARE, INSTRUCTION MANUAL	Correct	

Section		Location	Part No.	Description	Interchangeability	Reason
CABINET & CHASSIS PARTS (page12)	Old	5201	613 220 6433	GASKET ,DOME-L5DC2	No	B
	Old	5202	613 220 6426	COVER ,DOME-L5DC2		
	Old	5203	613 220 6525	CABINET ,TOP-L5DE2		
	Old	5204	412 079 5907	SPECIAL SCREW-4.0X20		
	Old	5205	613 220 6563	MOUNTING ,DOME-L5DE2		
	Old	5206	411 126 4702	SCR PAN+SW+W 3X6		
	Old	5207	613 220 6556	GASKET ,TOP-L5DE2		
	New	5200	613 222 8596	ASSY ,CABINET TOP-HD	Yes with Old	
<div style="display: flex; justify-content: space-around; align-items: center;"> <div style="text-align: center;"> <p>Old</p> </div> <div style="text-align: center;"> <p>New</p> </div> </div> <p style="text-align: right; margin-right: 50px;">L5DK2/XE2_Notice</p>						
	Old	8001	613 222 1238	ASSY ,UNIT ,L5DE	Wrong	A
	New	8001	613 222 8602	ASSY ,UNIT ,L5DK ,COLOR	Correct	
COMPL PWB,CA-2 F/W MAC (N.S.P) (page15)	New	IC107	409 701 7804	IC AK8128B	Yes with Old.	G
	Old	IC121	409 695 1604	IC S29PL064J60BF1120# , BGA(N.S.P)	Wrong	A
	New	IC121	409 706 4006	IC HD1CHIP MAIN JV1.01-01 , BGA(N.S.P)	Correct	
(page16)	Old	D6803	407 266 0704	ZENER DIODE RSBC6.8CS	Yes with New.	G
	New	D6803 OR 307 254 4106	408 070 2809 ZENER DIODE RSB6.8CS	Yes with Old.		
	Old	D6804	407 266 0704	ZENER DIODE RSBC6.8CS	Yes with New.	G
	New	D6804 OR 307 254 4106	408 070 2809 ZENER DIODE RSB6.8CS	Yes with Old.		
	Old	CT301	645 069 5070	TRIMMER ,10PF	Yes with New.	G
	New	CT301	645 005 3924	TRIMMER ,10PF	Yes with Old.	