

1 2 3 4 5 6  $\phi$

A

B

C

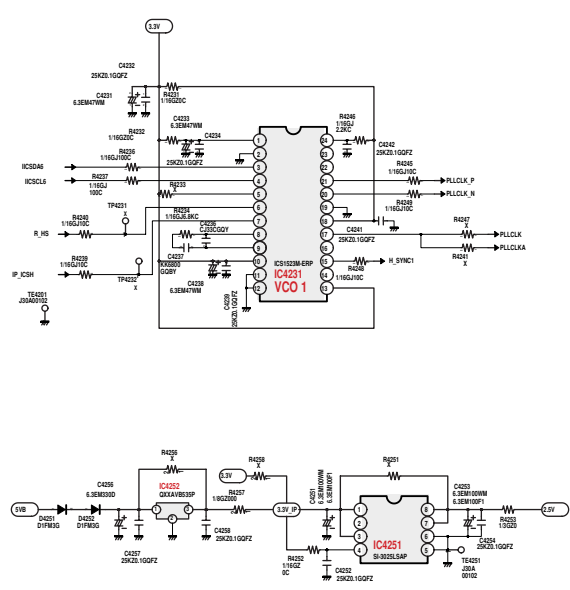
D

E

F

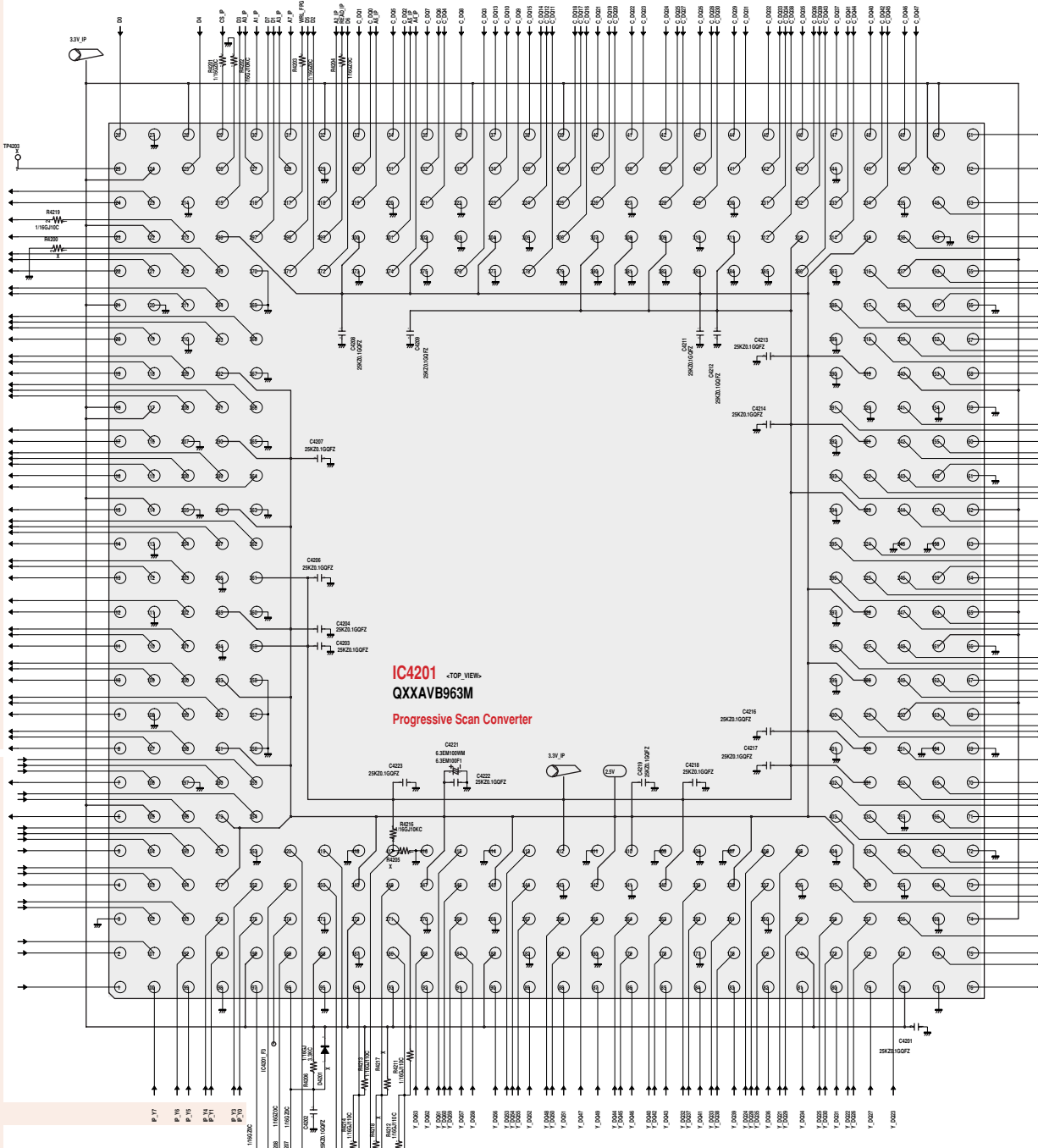
G

H

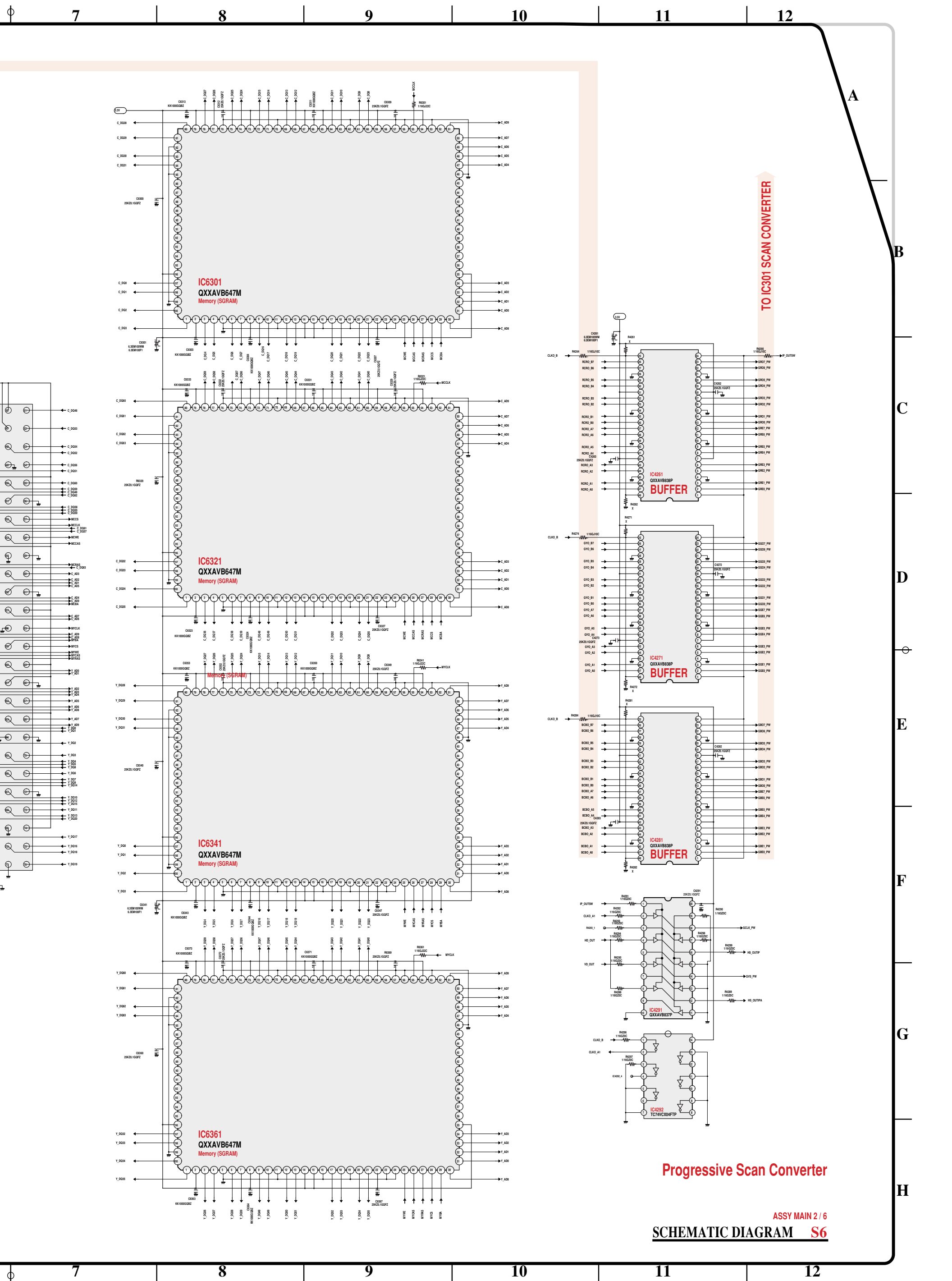


TO IC4251 / IC4271 / IC4281 BUFFER

FROM IC2301 (SW)



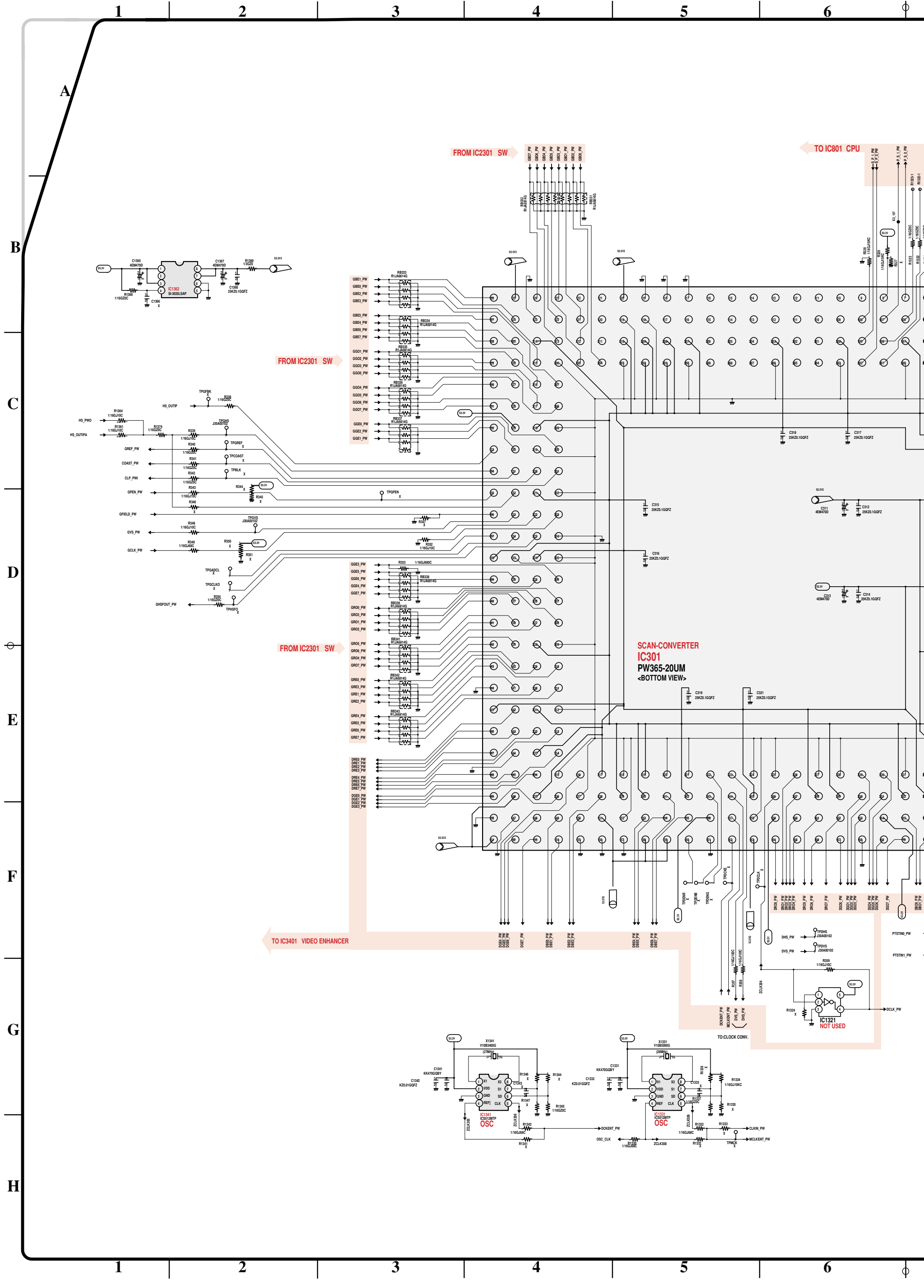
Chip	ZSA105AK	ZSA105K	ZSA117A
AJ	R.S.	R.S.	MLM7
AH	ZSC2412K	ZSC2812	L6L7

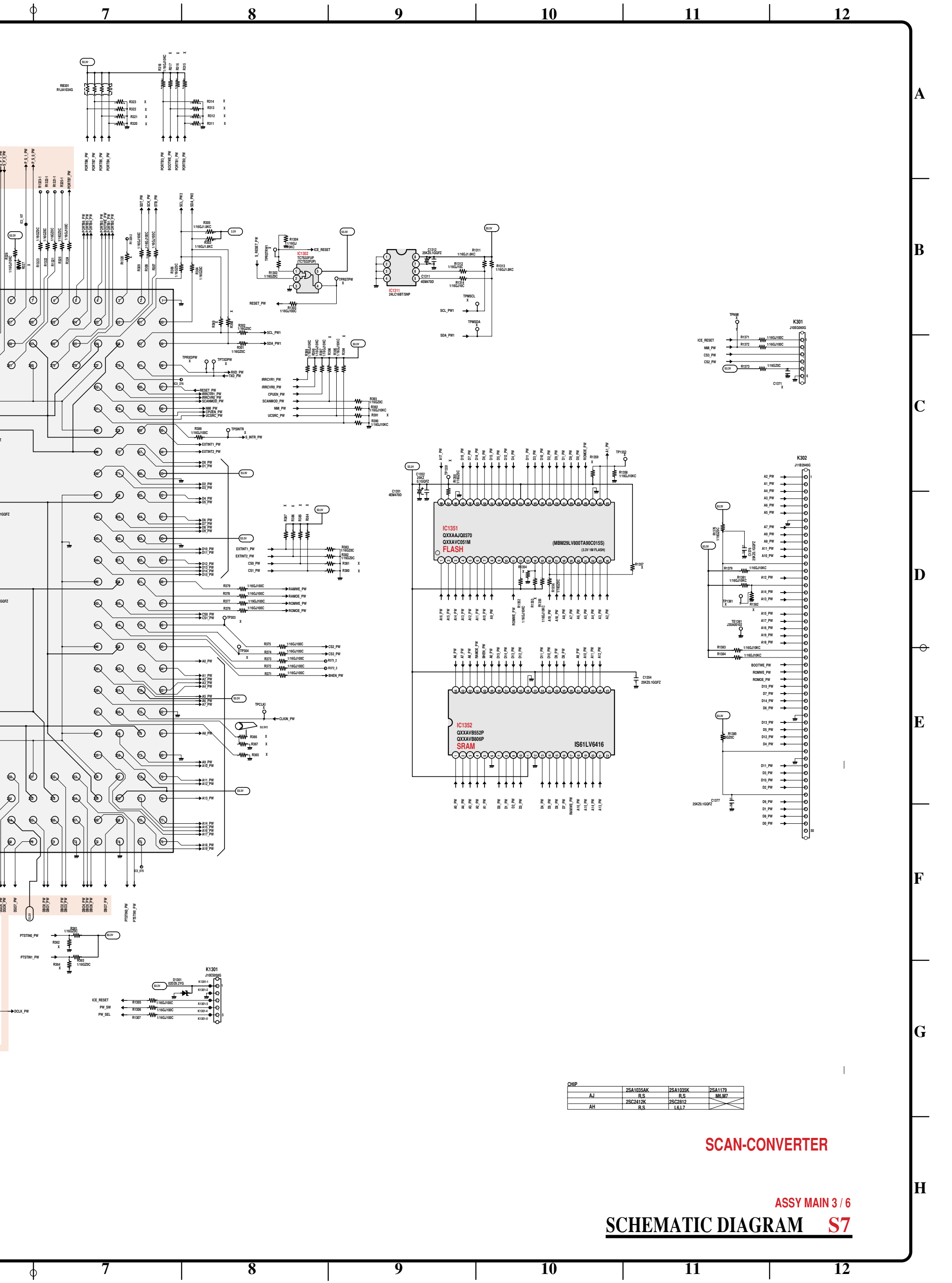


TO IC301 SCAN CONVERTER

Progressive Scan Converter

ASSY MAIN 2 / 6  
SCHEMATIC DIAGRAM S6





CHIP	2SA1035AK	2SA1035K	2SA1173
AJ	R.S	R.S	M6M7
AH	2SC2412K	2SC2812	1,6,1,7

**SCAN-CONVERTER**

ASSY MAIN 3 / 6

**SCHEMATIC DIAGRAM S7**

1 2 3 4 5 6  $\phi$

A

B

C

D

E

F

G

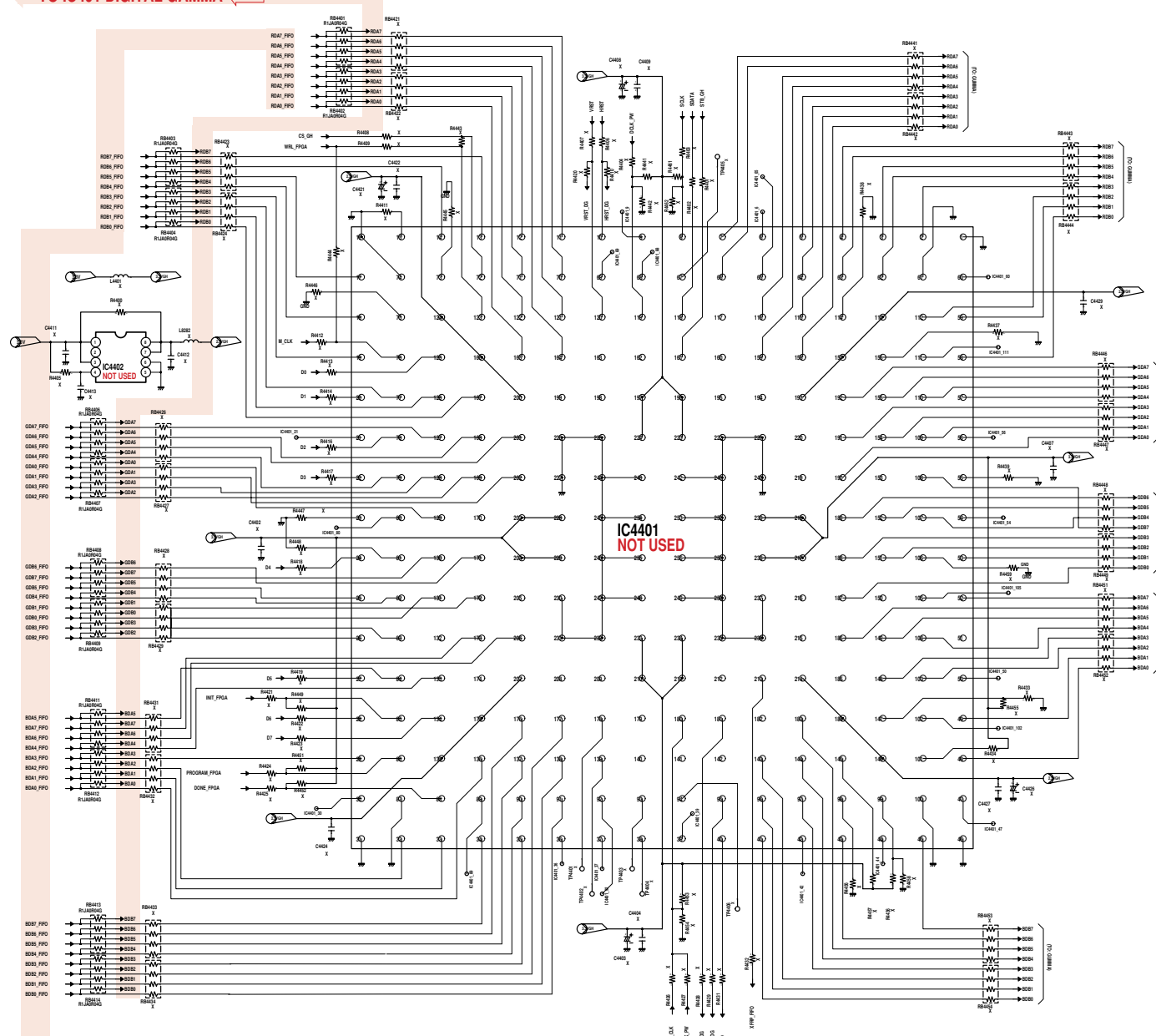
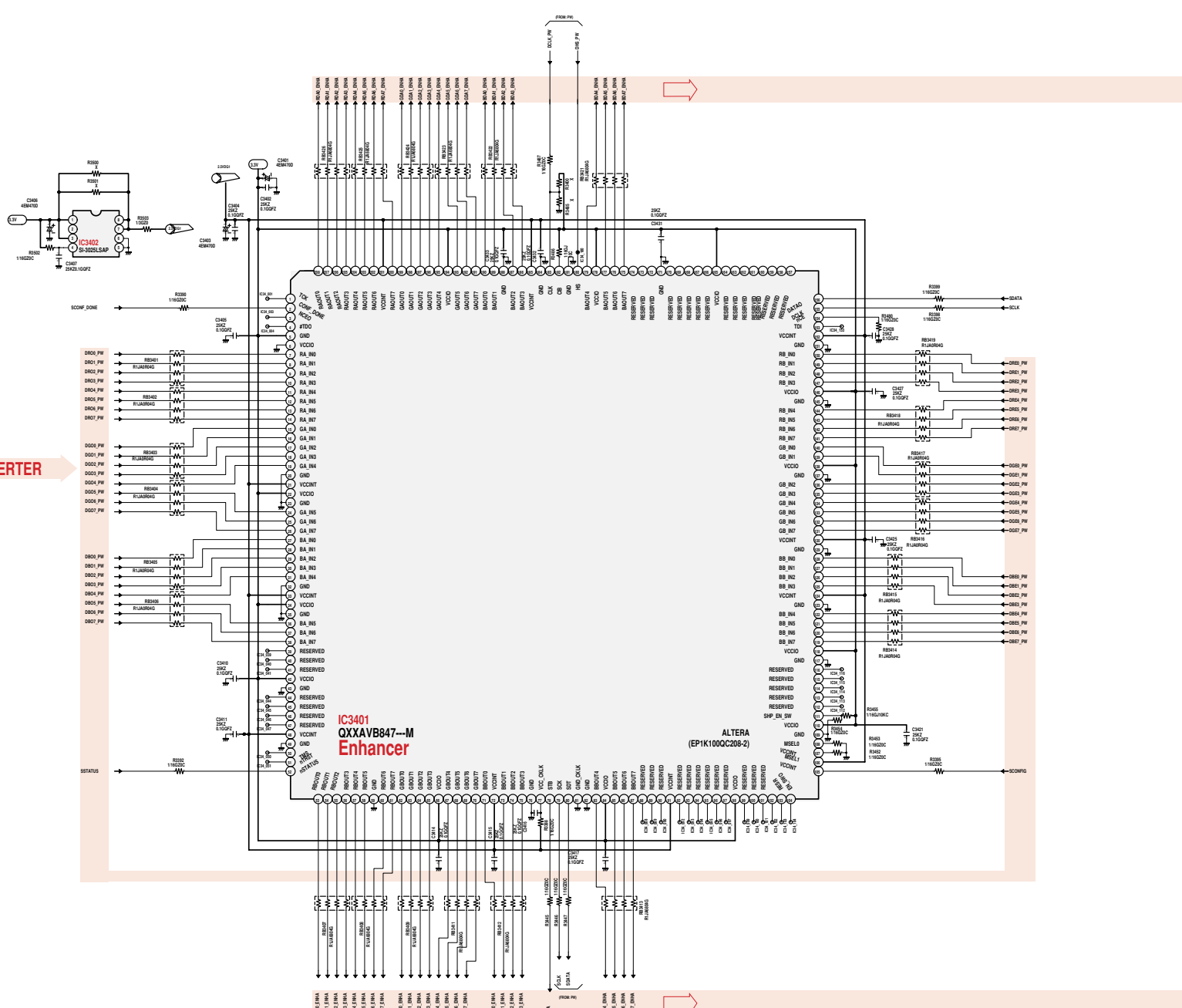
H

FROM IC301 SCAN CONVERTER

TO IC401 DIGITAL GAMMA

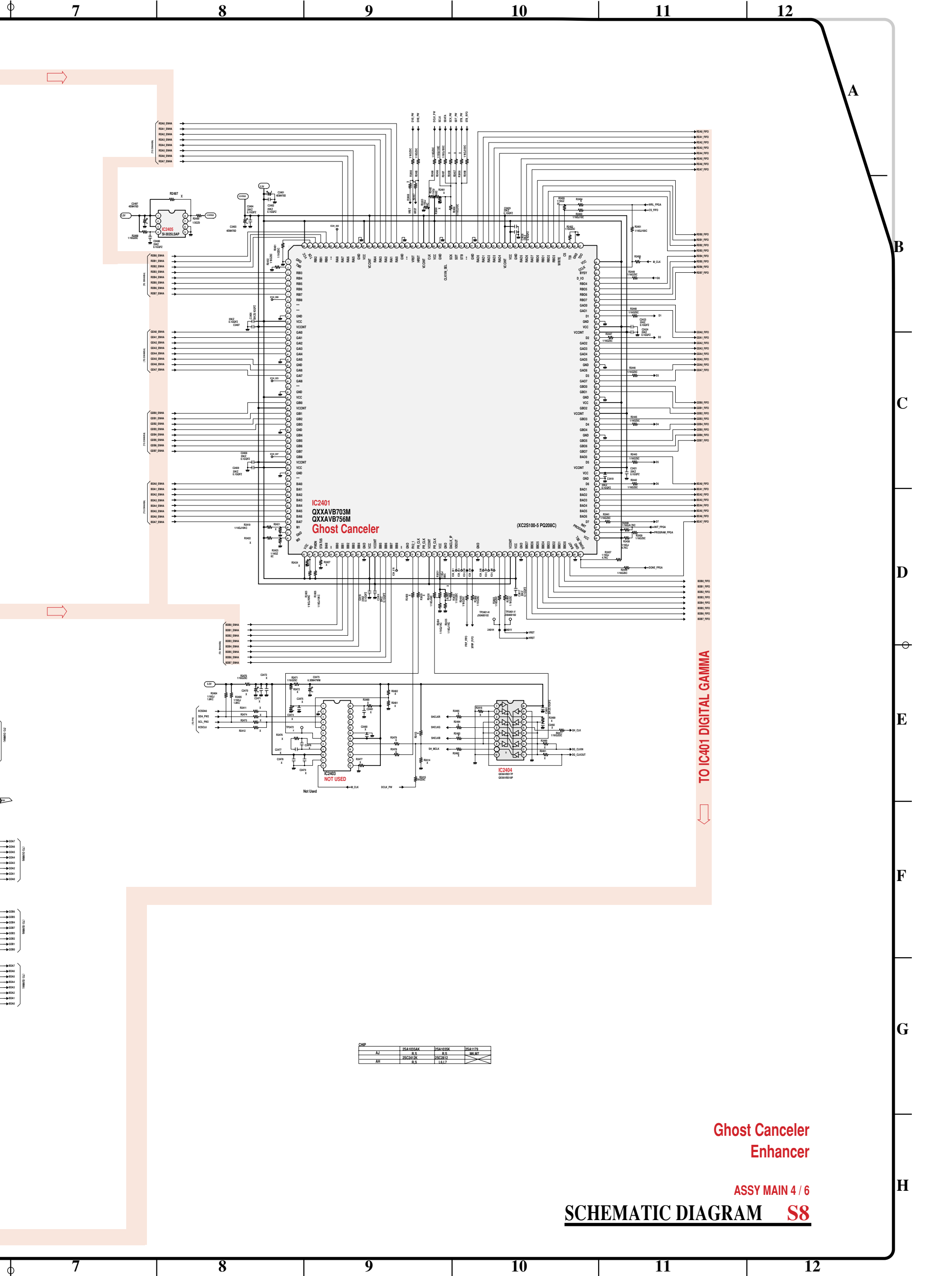
FROM IC301 SCAN CONVERTER

TO IC401 DIGITAL GAMMA



1 2 3 4 5 6  $\phi$





CHP	2SA1035AK	2SA1036K	2SA1173
AJ	R.S.	R.S.	Mb.M7
AH	2SC1019K	2SC1019	
	R.S.	LE17	

Ghost Canceler  
Enhancer

ASSY MAIN 4 / 6

**SCHEMATIC DIAGRAM S8**