

Notice



- CORRECTION PRODUCTION CHANGE
 SERVICE FLASH ADD INFORMATION

FILE NO.

Please add this notice to the Service Manuals listed below.

Revision 2

■ Category :	Multimedia projector	■ Date :	April / 2005
■ Model No. :	■ Destination :	■ Effective Chassis No. :	MY8-XF3500 MY8-XF3501 MY8-XF35N00 MY8-XF35N01 MY8-XF35NL00 MY8-XF35NL01
PLC-XF35	Canada, Europe, Asia, Africa, M.E., U.K.	■ Ref. No. :	SM5110413
PLC-XF35N	U.S.A., Canada		
PLC-XF35NL	U.S.A.		

Give complete "CHASSIS NO. " for parts order or servicing, it is shown on the rating sheet on the cabinet of the Projector.

■ The outline of service flash.

- 1) The content of service flash : The component parts in the ASSY PNL/PRISM are added to service part line.
- 2) The reason of change : Improvement of after service.
- 3) The content of change : The service part numbers of the Optical Filters and the Polarization Glasses in the ASSY PNL/PRISM are added to service part line.

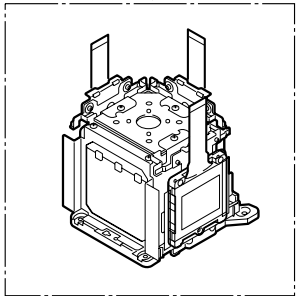
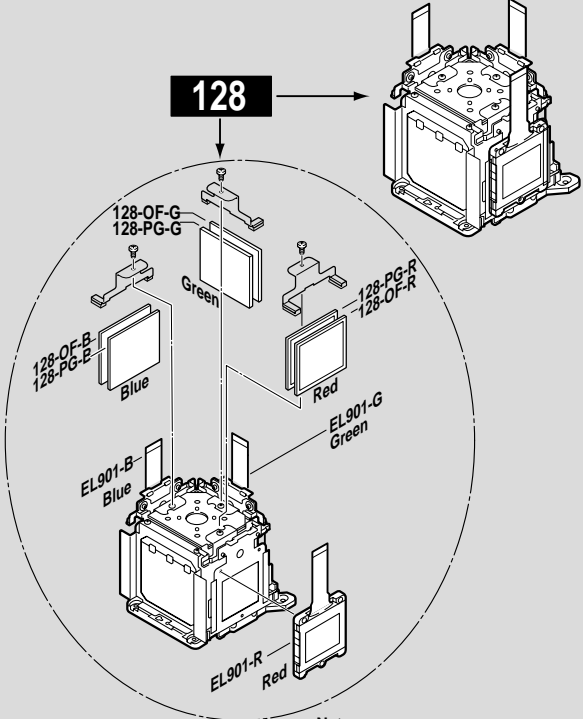
Product Code :

PLC-XF35	MY8A	1 122 154 00	U.S.A. , Canada
PLC-XF35	PY8A	1 122 155 00	Continental Europe, Asia, Africa, M.E.
PLC-XF35	PY8C	1 122 155 02	U.K.
PLC-XF35N	MY8AA	1 122 154 20	U.S.A. , Canada
PLC-XF35NL	MY8AL	1 122 154 30	U.S.A. , Canada
PLC-XF35	MY8AB	1 122 154 40	U.S.A. , Canada
PLC-XF35	PY8AB	1 122 155 40	Continental Europe, Asia, Africa, M.E.
PLC-XF35	PY8CB	1 122 155 42	U.K.
PLC-XF35N	MY8AC	1 122 154 60	U.S.A. , Canada
PLC-XF35NL	MY8AM	1 122 154 80	U.S.A. , Canada

REFERENCE NO. SM5110413-02

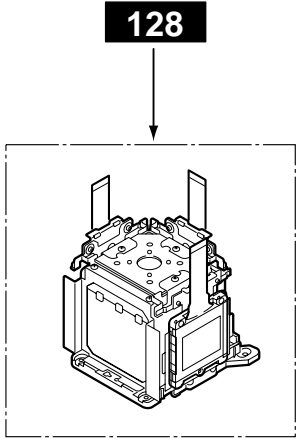
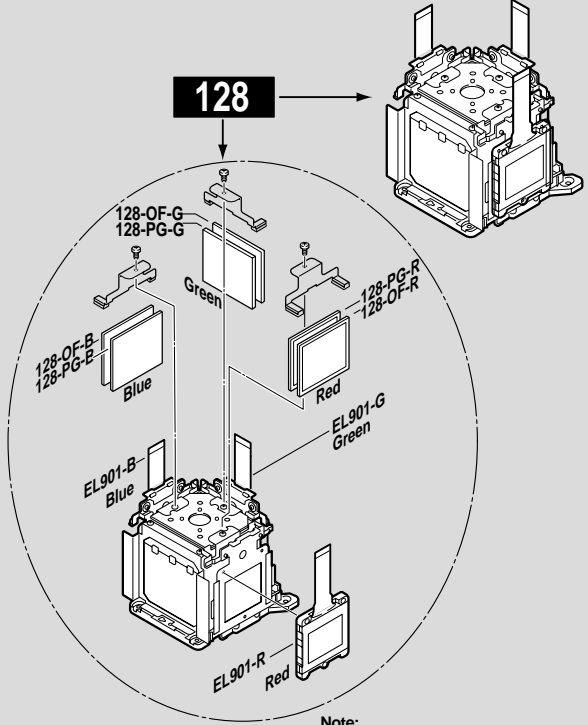
Notice : Service Flash

**The service flash for Chassis No. MY8-XF3500,
MY8-XF35N00 and MY8-XF35NL00.**

	Before (See original version)	After																																																																		
Page Section	<div style="border: 1px solid black; padding: 10px; margin: 10px auto; width: 80%;"> <div style="text-align: center; margin-bottom: 10px;">128</div>  </div>	<div style="border: 1px solid black; padding: 10px; margin: 10px auto; width: 80%;"> <div style="text-align: center; margin-bottom: 10px;">128</div>  <div style="margin-top: 10px;"> <p>Note:</p> <p>1) Optical filter and Polarization glass : < Film side is located outside. ></p> <p>2) Optical filter : < Printed mark is located upside. ></p> </div> </div>																																																																		
Page Optics	<table border="1" style="width: 100%; border-collapse: collapse;"> <thead> <tr> <th style="width: 10%;">Key no.</th> <th style="width: 15%;">Part no.</th> <th style="width: 75%;">Description</th> </tr> </thead> <tbody> <tr> <td style="text-align: center;">128</td> <td style="text-align: center;">610 301 6504</td> <td style="text-align: center;">ASSY LCD-PANEL/PRISM-MY8A</td> </tr> <tr><td>----</td><td>----</td><td>----</td></tr> <tr><td>----</td><td>----</td><td>----</td></tr> <tr><td>----</td><td>----</td><td>----</td></tr> <tr><td>----</td><td>----</td><td>----</td></tr> <tr><td>----</td><td>----</td><td>----</td></tr> <tr><td>----</td><td>----</td><td>----</td></tr> <tr><td>----</td><td>----</td><td>----</td></tr> <tr><td>----</td><td>----</td><td>----</td></tr> <tr><td>----</td><td>----</td><td>----</td></tr> </tbody> </table>	Key no.	Part no.	Description	128	610 301 6504	ASSY LCD-PANEL/PRISM-MY8A	----	----	----	----	----	----	----	----	----	----	----	----	----	----	----	----	----	----	----	----	----	----	----	----	----	----	----	<table border="1" style="width: 100%; border-collapse: collapse;"> <thead> <tr> <th style="width: 10%;">Key no.</th> <th style="width: 15%;">Part no.</th> <th style="width: 75%;">Description</th> </tr> </thead> <tbody> <tr> <td style="text-align: center;">128</td> <td style="text-align: center;">610 301 6504</td> <td style="text-align: center;">ASSY LCD-PANEL/PRISM-MY8A</td> </tr> <tr> <td style="text-align: center;">128-OF-R</td> <td style="text-align: center;">645 075 7747</td> <td style="text-align: center;">OPTICAL FILTER (WVX2)</td> </tr> <tr> <td style="text-align: center;">128-OF-G</td> <td style="text-align: center;">645 077 6540</td> <td style="text-align: center;">OPTICAL FILTER(WV6/MV3)G</td> </tr> <tr> <td style="text-align: center;">128-OF-B</td> <td style="text-align: center;">645 077 6540</td> <td style="text-align: center;">OPTICAL FILTER(WV6/MV3)G</td> </tr> <tr> <td style="text-align: center;">128-PG-R</td> <td style="text-align: center;">645 054 0394</td> <td style="text-align: center;">POLARIZATION GLASS(OUT/R)</td> </tr> <tr> <td style="text-align: center;">128-PG-G</td> <td style="text-align: center;">645 054 0400</td> <td style="text-align: center;">POLARIZATION GLASS(OUT/G)</td> </tr> <tr> <td style="text-align: center;">128-PG-B</td> <td style="text-align: center;">645 054 0417</td> <td style="text-align: center;">POLARIZATION GLASS(OUT/B)</td> </tr> <tr> <td style="text-align: center;">EL901B</td> <td style="text-align: center;">645 054 2626</td> <td style="text-align: center;">LCD panel(LCX039BMT-6 B)</td> </tr> <tr> <td style="text-align: center;">EL901G</td> <td style="text-align: center;">645 054 2619</td> <td style="text-align: center;">LCD panel(LCX039BMT-8 G)</td> </tr> <tr> <td style="text-align: center;">EL901R</td> <td style="text-align: center;">645 054 2602</td> <td style="text-align: center;">LCD panel(LCX039BMT-7 R)</td> </tr> </tbody> </table>	Key no.	Part no.	Description	128	610 301 6504	ASSY LCD-PANEL/PRISM-MY8A	128-OF-R	645 075 7747	OPTICAL FILTER (WVX2)	128-OF-G	645 077 6540	OPTICAL FILTER(WV6/MV3)G	128-OF-B	645 077 6540	OPTICAL FILTER(WV6/MV3)G	128-PG-R	645 054 0394	POLARIZATION GLASS(OUT/R)	128-PG-G	645 054 0400	POLARIZATION GLASS(OUT/G)	128-PG-B	645 054 0417	POLARIZATION GLASS(OUT/B)	EL901B	645 054 2626	LCD panel(LCX039BMT-6 B)	EL901G	645 054 2619	LCD panel(LCX039BMT-8 G)	EL901R	645 054 2602	LCD panel(LCX039BMT-7 R)
Key no.	Part no.	Description																																																																		
128	610 301 6504	ASSY LCD-PANEL/PRISM-MY8A																																																																		
----	----	----																																																																		
----	----	----																																																																		
----	----	----																																																																		
----	----	----																																																																		
----	----	----																																																																		
----	----	----																																																																		
----	----	----																																																																		
----	----	----																																																																		
----	----	----																																																																		
Key no.	Part no.	Description																																																																		
128	610 301 6504	ASSY LCD-PANEL/PRISM-MY8A																																																																		
128-OF-R	645 075 7747	OPTICAL FILTER (WVX2)																																																																		
128-OF-G	645 077 6540	OPTICAL FILTER(WV6/MV3)G																																																																		
128-OF-B	645 077 6540	OPTICAL FILTER(WV6/MV3)G																																																																		
128-PG-R	645 054 0394	POLARIZATION GLASS(OUT/R)																																																																		
128-PG-G	645 054 0400	POLARIZATION GLASS(OUT/G)																																																																		
128-PG-B	645 054 0417	POLARIZATION GLASS(OUT/B)																																																																		
EL901B	645 054 2626	LCD panel(LCX039BMT-6 B)																																																																		
EL901G	645 054 2619	LCD panel(LCX039BMT-8 G)																																																																		
EL901R	645 054 2602	LCD panel(LCX039BMT-7 R)																																																																		
Page Optics	<table border="1" style="width: 100%; border-collapse: collapse;"> <thead> <tr> <th style="width: 10%;">Key no.</th> <th style="width: 15%;">Part no.</th> <th style="width: 75%;">Description</th> </tr> </thead> <tbody> <tr> <td style="text-align: center;">128</td> <td style="text-align: center;">610 301 6504</td> <td style="text-align: center;">ASSY LCD-PANEL/PRISM-MY8A</td> </tr> <tr><td>----</td><td>----</td><td>----</td></tr> <tr><td>----</td><td>----</td><td>----</td></tr> <tr><td>----</td><td>----</td><td>----</td></tr> <tr><td>----</td><td>----</td><td>----</td></tr> <tr><td>----</td><td>----</td><td>----</td></tr> <tr><td>----</td><td>----</td><td>----</td></tr> <tr><td>----</td><td>----</td><td>----</td></tr> <tr><td>----</td><td>----</td><td>----</td></tr> <tr><td>----</td><td>----</td><td>----</td></tr> </tbody> </table>	Key no.	Part no.	Description	128	610 301 6504	ASSY LCD-PANEL/PRISM-MY8A	----	----	----	----	----	----	----	----	----	----	----	----	----	----	----	----	----	----	----	----	----	----	----	----	----	----	----	<table border="1" style="width: 100%; border-collapse: collapse;"> <thead> <tr> <th style="width: 10%;">Key no.</th> <th style="width: 15%;">Part no.</th> <th style="width: 75%;">Description</th> </tr> </thead> <tbody> <tr> <td style="text-align: center;">128</td> <td style="text-align: center;">610 301 6504</td> <td style="text-align: center;">ASSY LCD-PANEL/PRISM-MY8A</td> </tr> <tr> <td style="text-align: center;">128-OF-R</td> <td style="text-align: center;">645 075 7747</td> <td style="text-align: center;">OPTICAL FILTER (WVX2)</td> </tr> <tr> <td style="text-align: center;">128-OF-G</td> <td style="text-align: center;">645 077 6540</td> <td style="text-align: center;">OPTICAL FILTER(WV6/MV3)G</td> </tr> <tr> <td style="text-align: center;">128-OF-B</td> <td style="text-align: center;">645 077 6540</td> <td style="text-align: center;">OPTICAL FILTER(WV6/MV3)G</td> </tr> <tr> <td style="text-align: center;">128-PG-R</td> <td style="text-align: center;">645 054 0394</td> <td style="text-align: center;">POLARIZATION GLASS(OUT/R)</td> </tr> <tr> <td style="text-align: center;">128-PG-G</td> <td style="text-align: center;">645 054 0400</td> <td style="text-align: center;">POLARIZATION GLASS(OUT/G)</td> </tr> <tr> <td style="text-align: center;">128-PG-B</td> <td style="text-align: center;">645 054 0417</td> <td style="text-align: center;">POLARIZATION GLASS(OUT/B)</td> </tr> <tr> <td style="text-align: center;">EL901B</td> <td style="text-align: center;">645 054 2626</td> <td style="text-align: center;">LCD panel(LCX039BMT-6 B)</td> </tr> <tr> <td style="text-align: center;">EL901G</td> <td style="text-align: center;">645 054 2619</td> <td style="text-align: center;">LCD panel(LCX039BMT-8 G)</td> </tr> <tr> <td style="text-align: center;">EL901R</td> <td style="text-align: center;">645 054 2602</td> <td style="text-align: center;">LCD panel(LCX039BMT-7 R)</td> </tr> </tbody> </table>	Key no.	Part no.	Description	128	610 301 6504	ASSY LCD-PANEL/PRISM-MY8A	128-OF-R	645 075 7747	OPTICAL FILTER (WVX2)	128-OF-G	645 077 6540	OPTICAL FILTER(WV6/MV3)G	128-OF-B	645 077 6540	OPTICAL FILTER(WV6/MV3)G	128-PG-R	645 054 0394	POLARIZATION GLASS(OUT/R)	128-PG-G	645 054 0400	POLARIZATION GLASS(OUT/G)	128-PG-B	645 054 0417	POLARIZATION GLASS(OUT/B)	EL901B	645 054 2626	LCD panel(LCX039BMT-6 B)	EL901G	645 054 2619	LCD panel(LCX039BMT-8 G)	EL901R	645 054 2602	LCD panel(LCX039BMT-7 R)
Key no.	Part no.	Description																																																																		
128	610 301 6504	ASSY LCD-PANEL/PRISM-MY8A																																																																		
----	----	----																																																																		
----	----	----																																																																		
----	----	----																																																																		
----	----	----																																																																		
----	----	----																																																																		
----	----	----																																																																		
----	----	----																																																																		
----	----	----																																																																		
----	----	----																																																																		
Key no.	Part no.	Description																																																																		
128	610 301 6504	ASSY LCD-PANEL/PRISM-MY8A																																																																		
128-OF-R	645 075 7747	OPTICAL FILTER (WVX2)																																																																		
128-OF-G	645 077 6540	OPTICAL FILTER(WV6/MV3)G																																																																		
128-OF-B	645 077 6540	OPTICAL FILTER(WV6/MV3)G																																																																		
128-PG-R	645 054 0394	POLARIZATION GLASS(OUT/R)																																																																		
128-PG-G	645 054 0400	POLARIZATION GLASS(OUT/G)																																																																		
128-PG-B	645 054 0417	POLARIZATION GLASS(OUT/B)																																																																		
EL901B	645 054 2626	LCD panel(LCX039BMT-6 B)																																																																		
EL901G	645 054 2619	LCD panel(LCX039BMT-8 G)																																																																		
EL901R	645 054 2602	LCD panel(LCX039BMT-7 R)																																																																		

Notice : Service Flash

The service flash for Chassis No. MY8-XF3501, MY8-XF35N01 and MY8-XF35NL01.

	Before (See original version)			After		
				MY8-XF3501 Chassis No. : MY8-XF35N01 MY8-XF35NL01		
Page	Key no.	Part no.	Description	Key no.	Part no.	Description
Page 68						
Page 69	128	610 301 6504	ASSY LCD-PANEL/PRISM-MY8A	128	610 320 5083	ASSY PNL/PRISM-MY8AA
Page 70	EL901B	645 054 2626	LCD panel(LCX039BMT-6 B)	EL901B	645 075 1639	LCD(LCX039CMF-6 B)
	EL901G	645 054 2619	LCD panel(LCX039BMT-8 G)	EL901G	645 075 1622	LCD(LCX039CMF-8 G)
	EL901R	645 054 2602	LCD panel(LCX039BMT-7 R)	EL901R	645 075 1615	LCD(LCX039CMF-7 R)

128-OF : Optical Filter
 128-PG : Polarization Glass
 EL901 : LCD Panel

Note:
 1) Optical filter and Polarization glass :
 < Film side is located outside. >
 2) Optical filter :
 < Printed mark is located upside. >

SANYO