

Notice



- CORRECTION **PRODUCTION CHANGE**
 SERVICE FLASH ADD INFORMATION

FILE NO.

Please add this notice to the Service Manuals listed below.

Revision 3

<p> ■ Category : Multimedia projector ■ Model No. : </p> <p> PLC-XF35 PLC-XF35N PLC-XF35NL </p>	<p> ■ Destination : Canada, Europe, Asia, Africa, M.E., U.K. U.S.A., Canada U.S.A. </p>	<p> ■ Date : June / 2005 ■ Effective from Chassis No. : MY8-XF3502 MY8-XF35N02 MY8-XF35NL02 ■ Ref. No. : SM5110413 </p>
---	---	--

Give complete " CHASSIS NO. " for parts order or servicing, it is shown on the rating sheet on the cabinet of the Projector.

Note:

Match the chassis No. on the unit's with the chassis No. in the service manual. If the service manual chassis No. does not match the unit's, additional service literature is required. This chassis is similar to the chassis NO. MY8-XF3500/XF35N00/XF35NL00. Only the difference service information is given in this manual. For detail service informations, refer to the original service manual for chassis no. MY8-XF3500/XF35N00/XF35NL00 used in model no. PLC-XF35/XF35N/XF35NL (SM5110413).

■ The outline of Production change.

	Page	
■ Optical parts	68, 69, 70	ASSY PNL/PRISM
■ Out of pwb assembly	70	SW902 Interlock switch
■ Pwb assembly	70	ASSY,PWB,DVI MT8AD
	72	ASSY,PWB,COMPONENT MT8AD
	75	ASSY,PWB,CGMOTHER MY8AD
	77	ASSY,PWB,MOTOR&AUDIO
	78	ASSY,PWB,CONTROL MY8AD
	78	ASSY,PWB,RS232C MY8AD
	79	ASSY,PWB,LED MY8AD
	79	ASSY,PWB,R/C1 MY8AD
	79	ASSY,PWB,R/C2 MY8AD
	79	ASSY,PWB,SENSOR MY8AD
	80	ASSY,PWB,PFC FANNET MY8AD
	80	ASSY,PWB,MAIN MY8AD
	90	ASSY,PWB,OPTICAL FANNET MY8AD
	91	ASSY,PWB,POWER MY8AD
	91	ASSY,PWB,RGB FANNET MY8AD
	91	ASSY,PWB,LENS NET MY8AD
	91	ASSY,PWB, F-G NET MY8AD
	92	ASSY,PWB,AV MT8AD
■ Component parts in the ASSY,PWB,DVI	70, 71, 72,	IC, C, R, X
■ Component parts in the ASSY,PWB,CGMOTHER	75	IC, R
■ Component parts in the ASSY,PWB,MAIN	80, 81, 85, 90	IC, C, R, X
■ Accessories	98	Cables
■ Schematic diagram	S10 8-B	Pin configuration of IC1801

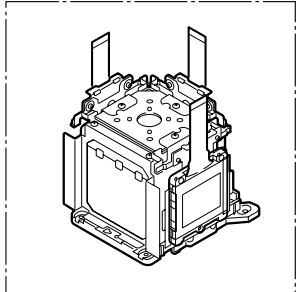
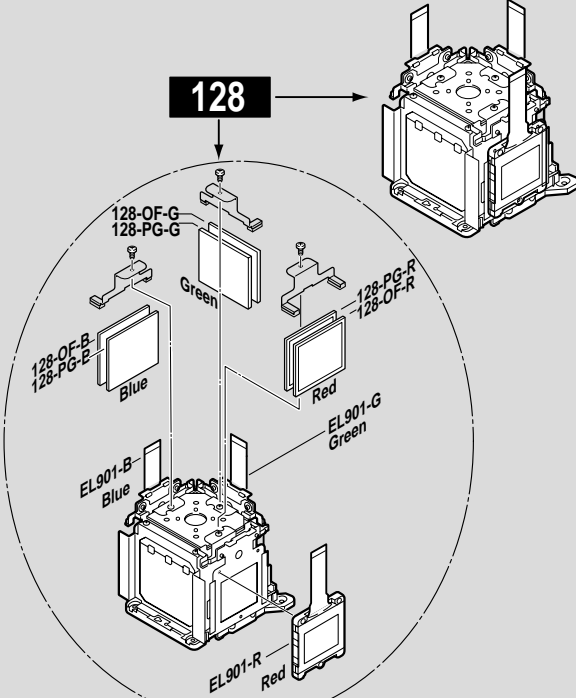
Product Code :

PLC-XF35	MY8AD	1 122 154 50	U.S.A. , Canada
PLC-XF35	PY8AD	1 122 155 50	Continental Europe, Asia, Africa, M.E.
PLC-XF35	PY8CD	1 122 155 52	U.K.
PLC-XF35N	MY8AE	1 122 154 70	U.S.A. , Canada
PLC-XF35NL	MY8AP	1 122 154 90	U.S.A. , Canada

REFERENCE NO. SM5110413-03

Notice : Production Change

Differences :

Page	Chassis No. : (See original version)	Chassis No. :																																																												
	MY8-XF3500 MY8-XF35N00 MY8-XF35NL00	MY8-XF3502 MY8-XF35N02 MY8-XF35NL02																																																												
Section	Key no. Part no. Description	Key no. Part no. Description																																																												
Page 68 Optics	<div style="border: 1px solid black; padding: 10px; width: 150px; margin: 0 auto;"> <div style="text-align: center; background-color: black; color: white; padding: 2px 5px; width: 40px; margin: 0 auto;">128</div>  </div>	<div style="border: 1px solid black; padding: 10px; width: 250px; margin: 0 auto;"> <div style="text-align: center; background-color: black; color: white; padding: 2px 5px; width: 40px; margin: 0 auto;">128</div>  <p style="font-size: small; margin-top: 10px;"> Note: 1) Optical filter and Polarization glass : < Film side is located outside. > 2) Optical filter : < Printed mark is located upside. > </p> </div>																																																												
Page 69 Optics	<table border="1" style="width: 100%; border-collapse: collapse;"> <tr><td style="width: 10%;">128</td><td style="width: 15%;">610 301 6504</td><td style="width: 75%;">ASSY LCD-PANEL/PRISM-MY8A</td></tr> <tr><td>----</td><td>----</td><td>----</td></tr> <tr><td>----</td><td>----</td><td>----</td></tr> <tr><td>----</td><td>----</td><td>----</td></tr> <tr><td>----</td><td>----</td><td>----</td></tr> <tr><td>----</td><td>----</td><td>----</td></tr> <tr><td>----</td><td>----</td><td>----</td></tr> <tr><td>----</td><td>----</td><td>----</td></tr> <tr><td>----</td><td>----</td><td>----</td></tr> <tr><td>----</td><td>----</td><td>----</td></tr> </table>	128	610 301 6504	ASSY LCD-PANEL/PRISM-MY8A	----	----	----	----	----	----	----	----	----	----	----	----	----	----	----	----	----	----	----	----	----	----	----	----	----	----	----	<table border="1" style="width: 100%; border-collapse: collapse;"> <tr><td style="width: 10%;">128</td><td style="width: 15%;">610 320 5083</td><td style="width: 75%;">ASSY PNL/PRISM-MY8AA</td></tr> <tr><td>128-OF-R</td><td>645 075 7747</td><td>OPTICAL FILTER (WVX2)</td></tr> <tr><td>128-OF-G</td><td>645 077 6540</td><td>OPTICAL FILTER(WV6/WV3)G</td></tr> <tr><td>128-OF-B</td><td>645 077 6540</td><td>OPTICAL FILTER(WV6/WV3)G</td></tr> <tr><td>128-PG-R</td><td>645 054 0394</td><td>POLARIZATION GLASS(OUT/R)</td></tr> <tr><td>128-PG-G</td><td>645 054 0400</td><td>POLARIZATION GLASS(OUT/G)</td></tr> <tr><td>128-PG-B</td><td>645 054 0417</td><td>POLARIZATION GLASS(OUT/B)</td></tr> <tr><td>EL901B</td><td>645 075 1639</td><td>LCD(LCX039CMF-6 B)</td></tr> <tr><td>EL901G</td><td>645 075 1622</td><td>LCD(LCX039CMF-8 G)</td></tr> <tr><td>EL901R</td><td>645 075 1615</td><td>LCD(LCX039CMF-7 R)</td></tr> </table>	128	610 320 5083	ASSY PNL/PRISM-MY8AA	128-OF-R	645 075 7747	OPTICAL FILTER (WVX2)	128-OF-G	645 077 6540	OPTICAL FILTER(WV6/WV3)G	128-OF-B	645 077 6540	OPTICAL FILTER(WV6/WV3)G	128-PG-R	645 054 0394	POLARIZATION GLASS(OUT/R)	128-PG-G	645 054 0400	POLARIZATION GLASS(OUT/G)	128-PG-B	645 054 0417	POLARIZATION GLASS(OUT/B)	EL901B	645 075 1639	LCD(LCX039CMF-6 B)	EL901G	645 075 1622	LCD(LCX039CMF-8 G)	EL901R	645 075 1615	LCD(LCX039CMF-7 R)
128	610 301 6504	ASSY LCD-PANEL/PRISM-MY8A																																																												
----	----	----																																																												
----	----	----																																																												
----	----	----																																																												
----	----	----																																																												
----	----	----																																																												
----	----	----																																																												
----	----	----																																																												
----	----	----																																																												
----	----	----																																																												
128	610 320 5083	ASSY PNL/PRISM-MY8AA																																																												
128-OF-R	645 075 7747	OPTICAL FILTER (WVX2)																																																												
128-OF-G	645 077 6540	OPTICAL FILTER(WV6/WV3)G																																																												
128-OF-B	645 077 6540	OPTICAL FILTER(WV6/WV3)G																																																												
128-PG-R	645 054 0394	POLARIZATION GLASS(OUT/R)																																																												
128-PG-G	645 054 0400	POLARIZATION GLASS(OUT/G)																																																												
128-PG-B	645 054 0417	POLARIZATION GLASS(OUT/B)																																																												
EL901B	645 075 1639	LCD(LCX039CMF-6 B)																																																												
EL901G	645 075 1622	LCD(LCX039CMF-8 G)																																																												
EL901R	645 075 1615	LCD(LCX039CMF-7 R)																																																												
Page 70 Out of PWB Asse mby	<table border="1" style="width: 100%; border-collapse: collapse;"> <tr><td style="width: 10%;">EL901B</td><td style="width: 15%;">645 054 2626</td><td style="width: 75%;">LCD panel(LCX039BMT-6 B)</td></tr> <tr><td>EL901G</td><td>645 054 2619</td><td>LCD panel(LCX039BMT-8 G)</td></tr> <tr><td>EL901R</td><td>645 054 2602</td><td>LCD panel(LCX039BMT-7 R)</td></tr> <tr><td>△ SW902</td><td>645 031 7743</td><td>SWITCH,PUSH 2P-2TX2</td></tr> </table>	EL901B	645 054 2626	LCD panel(LCX039BMT-6 B)	EL901G	645 054 2619	LCD panel(LCX039BMT-8 G)	EL901R	645 054 2602	LCD panel(LCX039BMT-7 R)	△ SW902	645 031 7743	SWITCH,PUSH 2P-2TX2	<table border="1" style="width: 100%; border-collapse: collapse;"> <tr><td style="width: 10%;">EL901B</td><td style="width: 15%;">645 075 1639</td><td style="width: 75%;">LCD(LCX039CMF-6 B)</td></tr> <tr><td>EL901G</td><td>645 075 1622</td><td>LCD(LCX039CMF-8 G)</td></tr> <tr><td>EL901R</td><td>645 075 1615</td><td>LCD(LCX039CMF-7 R)</td></tr> <tr><td>△ SW902</td><td>645 076 8156</td><td>SWITCH,PUSH 2P-2TX2</td></tr> </table>	EL901B	645 075 1639	LCD(LCX039CMF-6 B)	EL901G	645 075 1622	LCD(LCX039CMF-8 G)	EL901R	645 075 1615	LCD(LCX039CMF-7 R)	△ SW902	645 076 8156	SWITCH,PUSH 2P-2TX2																																				
EL901B	645 054 2626	LCD panel(LCX039BMT-6 B)																																																												
EL901G	645 054 2619	LCD panel(LCX039BMT-8 G)																																																												
EL901R	645 054 2602	LCD panel(LCX039BMT-7 R)																																																												
△ SW902	645 031 7743	SWITCH,PUSH 2P-2TX2																																																												
EL901B	645 075 1639	LCD(LCX039CMF-6 B)																																																												
EL901G	645 075 1622	LCD(LCX039CMF-8 G)																																																												
EL901R	645 075 1615	LCD(LCX039CMF-7 R)																																																												
△ SW902	645 076 8156	SWITCH,PUSH 2P-2TX2																																																												

Differences :

Notice : Production Change

Page	Chassis No. : (See original version) MY8-XF3500 MY8-XF35N00 MY8-XF35NL00			Chassis No. : MY8-XF3502 MY8-XF35N02 MY8-XF35NL02		
Section	Key no.	Part no.	Description	Key no.	Part no.	Description
Page 70 ASSY		610 290 6059	ASSY,PWB,DVI MV6A		610 322 7238	ASSY,PWB,DVI MT8AD
Page 70 DVI	IC8001	410 365 2203	IC SII161ACT100	IC8001	410 573 4709	IC SII161CTU
Page 71 DVI	C8193 C8195 R8001	403 358 1307 403 358 1307 401 105 5905	ELECT 330U M 25V ELECT 330U M 25V MT-GLAZE 560 JA 1/16W	C8193 C8195 R8001	403 397 7417 403 397 7417 401 105 4512	ELECT 330U M 16V ELECT 330U M 16V MT-GLAZE 390 JA 1/16W
Page 72 DVI	K80A X8151 or X8152 or	645 048 4643 645 021 1218 645 037 5187 645 021 1218 645 037 5187	SOCKET DVI 29P OSC,CERAMIC 8.00MHZ OSC,CERAMIC 8.00MHZ OSC,CERAMIC 8.00MHZ OSC,CERAMIC 8.00MHZ	K80A X8151 X8152	645 076 2697 645 021 1218 645 021 1218	SOCKET DVI 29P OSC,CERAMIC 8.00MHZ OSC,CERAMIC 8.00MHZ
Page 72 PWB ASSY		610 299 3905	ASSY,PWB,COMPONENT		610 322 8198	ASSY,PWB,COMPONENT MT8AD
Page 75 PWB ASSY		610 300 9254	ASSY,PWB,CGMOTHER		610 323 0887	ASSY,PWB,CGMOTHER MY8AD
Page 75 CG Mo ther	IC9005 or ----- ----- -----	409 153 5601 409 451 4108 ----- ----- -----	IC MC74F244M IC SN74F244NSR 	IC9005 R9014 R9044 R9045	409 451 4118 401 105 7919 401 035 4316 401 035 4316	IC SN74F244NSR MT-GLAZE 0.000 ZA 1/16W MT-GLAZE 10 JA 1/8W MT-GLAZE 10 JA 1/8W
Page 77 PWB ASSY		610 300 9261	ASSY,PWB,MOTOR&AUDIO		610 323 0863	ASSY,PWB,MOTOR&AUDIO
Page 78 PWB ASSY		610 300 9278 610 300 9285	ASSY,PWB,CONTROL ASSY,PWB,RS232C		610 323 0849 610 323 0832	ASSY,PWB,CONTROL MY8AD ASSY,PWB,RS232C MY8AD
Page 79 PWB ASSY		610 300 9292 610 300 9308 610 300 9315 610 300 9322	ASSY,PWB,LED ASSY,PWB,R/C1 ASSY,PWB,R/C2 ASSY,PWB,SENSOR		610 323 0979 610 323 1563 610 323 1549 610 323 0900	ASSY,PWB,LED MY8AD ASSY,PWB,R/C1 MY8AD ASSY,PWB,R/C2 MY8AD ASSY,PWB,SENSOR MY8AD
Page 80 PWB ASSY		610 302 3762 610 300 9735	ASSY,PWB,PFC FANNET ASSY,PWB,MAIN		610 3230 948 610 323 1006	ASSY,PWB,PFC FANNET MY8AD ASSY,PWB,MAIN MY8AD
Page 80 MAIN	IC1351 IC1801	410 446 6601 410 446 6700 409 475 3705	IC MBM29LV800TA90C051S IC MBM29LV800TA90NC051 IC M66500FP	IC1351 IC1801	410 586 9500 409 605 4612	IC MBM29LV800TE90-0473C IC M66501FP-RB0Q The new pin configuration can be seen on page 5.

Differences :

Notice : Production Change

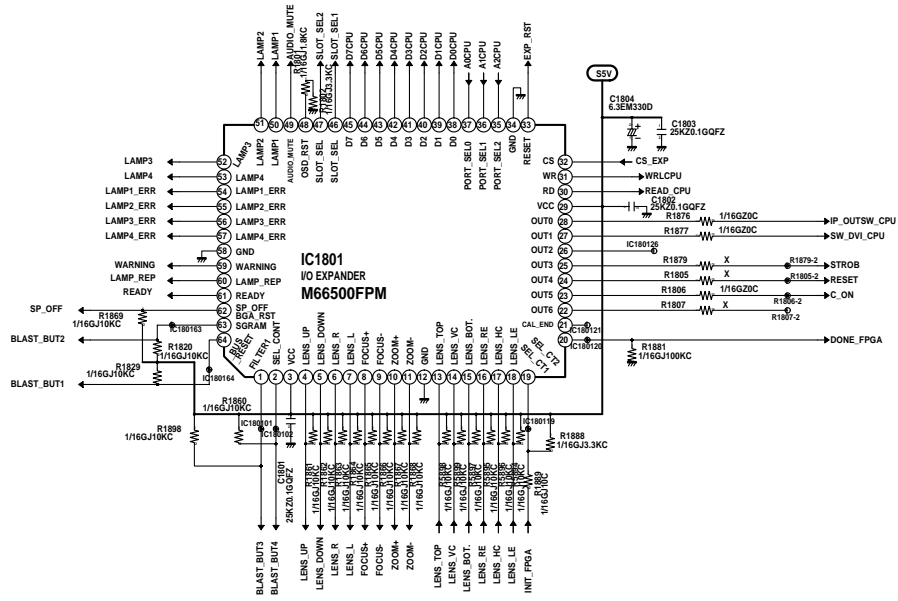
Page	Chassis No. : (See original version) MY8-XF3500 MY8-XF35N00 MY8-XF35NL00			Chassis No. : MY8-XF3502 MY8-XF35N02 MY8-XF35NL02		
Section	Key no.	Part no.	Description	Key no.	Part no.	Description
Page 81 MAIN	IC871	410 445 6800	IC MBM29LV160BE-90-C046-S	IC871	410 559 7700	IC MBM29LV160BE-90-0616
		410 445 6909	IC MBM29LV160BE-90-C046			
	IC892	410 367 1501	IC M5M51008CFP-70HI	IC892	410 415 5208	IC M5M51008DFP-70HI
		410 415 5208	IC M5M51008DFP-70HI			
	IC9801	409 468 8908	IC ML60851CTB	IC9801	409 521 4512	IC ML60851DTB
		409 521 4502	IC ML60851DTB			
Page 85 MAIN	C1893	403 164 0204	CERAMIC 0.1U Z 25V	C1893	403 283 6339	CERAMIC 1U Z 10V
	C1894	403 164 0204	CERAMIC 0.1U Z 25V	C1894	403 283 6339	CERAMIC 1U Z 10V
	C1895	403 164 0204	CERAMIC 0.1U Z 25V	C1895	403 283 6339	CERAMIC 1U Z 10V
Page 90 MAIN	R1801	401 105 2003	MT-GLAZE 1.8K JA 1/16W	R1801	401 113 6416	MT-GLAZE 5.1K JA 1/16W
	R1802	401 105 4106	MT-GLAZE 3.3K JA 1/16W	R1802	Not used	
Page 90 MAIN	X1331	645 047 6587	OSC,CRYSTAL 26.000MHZ	X1331	645 076 0303	OSC,CRYSTAL 26.000MHZ
	X1341	645 029 6468	OSC,CRYSTAL 27.000MHZ	X1341	645 076 0518	OSC,CRYSTAL 27.000MHZ
	X801	645 053 4973	OSC,CRYSTAL 6.4512MHZ	X801	645 077 5963	OSC,CRYSTAL 6.4512MHZ
	X9801	645 035 8906	OSC,CRYSTAL 48MHZ	X9801	645 076 0310	OSC,CRYSTAL 48MHZ
Page 90 PWB ASSY		610 302 4080	ASSY,PWB,OPTICAL FAN NET		610 323 1617	ASSY,PWB,OPTICAL FANNET MY8AD
Page 91 PWB ASSY	△	610 301 2865	ASSY,PWB,POWER	△	610 323 1020	ASSY,PWB,POWER MY8AD
		610 301 2384	ASSY,PWB,RGB FANNET		610 323 0955	ASSY,PWB,RGB FANNET MY8AD
		610 301 2889	ASSY,PWB,LENS NET		610 323 1013	ASSY,PWB,LENS NET MY8AD
		610 301 2896	ASSY,PWB, F-G NET		610 323 0917	ASSY,PWB, F-G NET MY8AD
Page 92 PWB ASSY		610 304 0646	ASSY,PWB,AV		610 322 8259	ASSY,PWB,AV MT8AD
Page 98 Accessories	or	645 015 3976 610 234 0969	CABLE,FXAF CABLE		645 069 2154	CABLE,FXAF
	or	645 054 3098 645 054 3104 645 039 7196	CABLE,MOUSE MAC CABLE,MOUSE MAC CABLE,MOUSE MAC		645 039 7196	CABLE,MOUSE MAC
	or	645 054 3111 645 054 3128 645 039 7202	CABLE,MOUSE PS/2 CABLE,MOUSE PS/2 CABLE,MOUSE PS/2		645 039 7202	CABLE,MOUSE PS/2
	or	645 054 3135 645 054 3142 645 039 7219	CABLE,MOUSE SRAL CABLE,MOUSE SRAL CABLE,MOUSE SRAL		645 039 7219	CABLE,MOUSE SRAL
	or	645 030 6624	CABLE,INTERFACE VGA		645 073 4854	CABLE,INTERFACE VGA

Page
Section

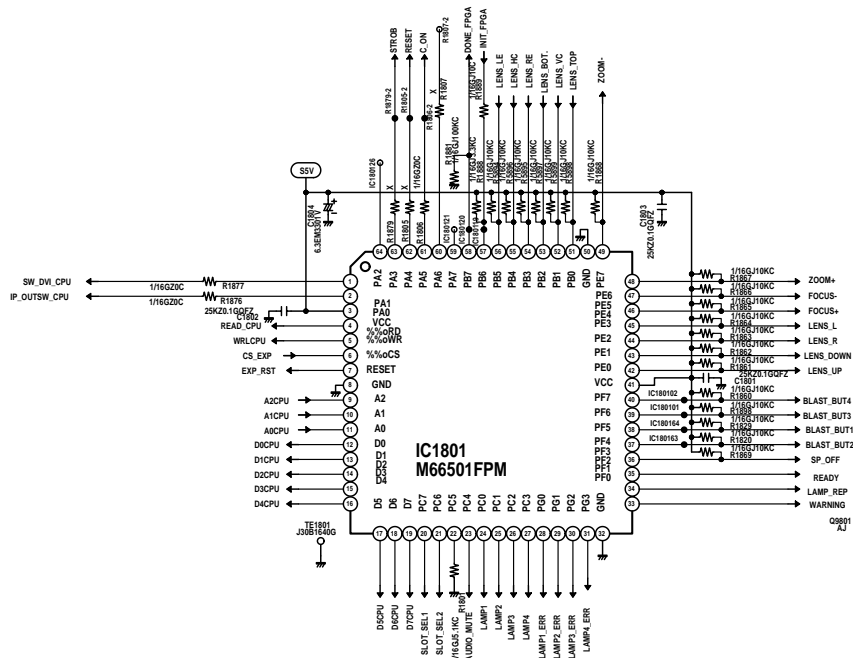
Schematic diagram S10 8-B

ASSY, MAIN 6/6 IC1801

MY8-XF3500
MY8-XF35N00
MY8-XF35NL00
Chassis No. :
(See original version)



MY8-XF3502
MY8-XF35N02
MY8-XF35NL02
Chassis No. :



SANYO